

Horizontal Toggle Clamps with Safety Interlock with straight foot and adjustable clamping spindle

Item description/product images

METRIC
Parts



Description

Material:

Steel.
Grip polyamide.
Unlocking bracket TPE.

Version:

Carbonitrided and black oxidized.
Grip blue, black or red.

Note:

Maintenance-free high quality link bushings. Sustainable constant force during opening and closing. Optimum stability through the conical, U-profile clamping arm. Including internal bar lock with automatic safety catch.

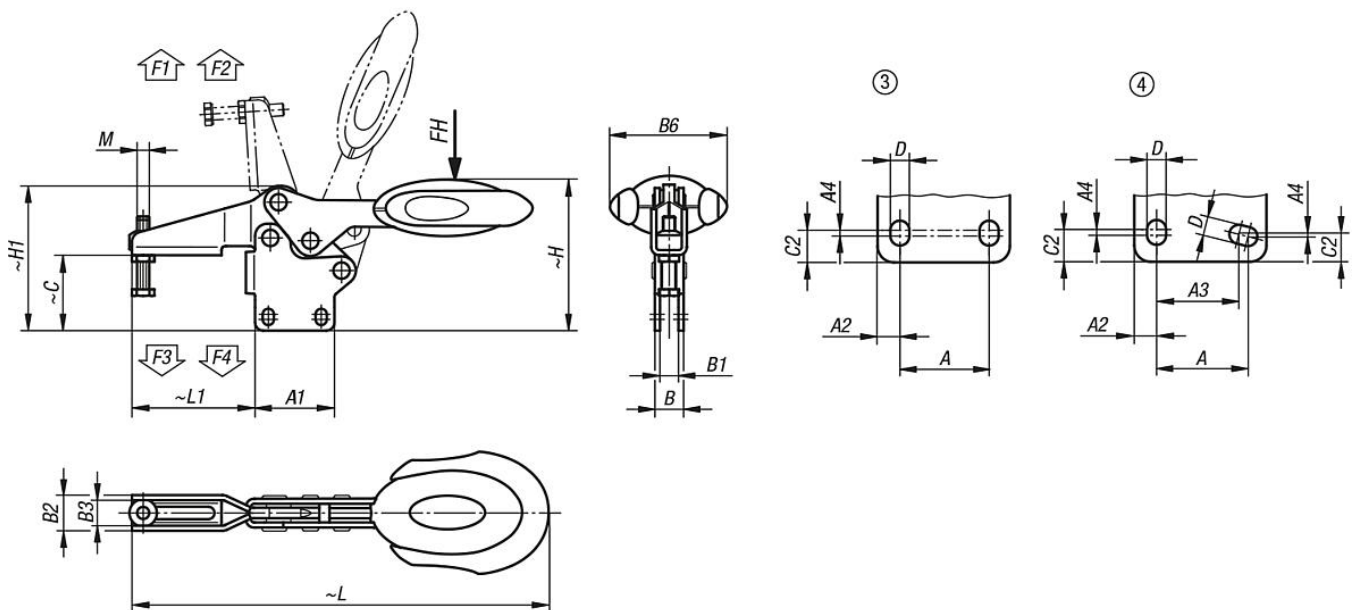
On request:

Other grip colors.

Accessory:

K0106
K0383
K0388
K0390
K0391
K0392
K0393

Drawings



Horizontal Toggle Clamps with Safety Interlock, with straight foot and adjustable clamping spindle, metric

Horizontal Toggle Clamps with Safety Interlock with straight foot and adjustable clamping spindle

Order No.	Component color	hole arrangement	Opening angle of holding arm	Opening angle of handle	Hand force FH N	Retaining force F1 N	Retaining force F2 N	Clamping force F3 N	Clamping force F4 N
K0661.006101	ultramarine blue RAL 5002	3	86°	67°	160	1350	1900	720	1200
K0661.008101	ultramarine blue RAL 5002	3	86°	67°	200	2000	2800	830	1400
K0661.010101	ultramarine blue RAL 5002	3	90°	71°	250	2200	4500	1200	2800
K0661.012101	ultramarine blue RAL 5002	4	88°	68°	280	2400	5500	1000	2800
K0661.006100	black gray RAL 7021	3	86°	67°	160	1350	1900	720	1200
K0661.008100	black gray RAL 7021	3	86°	67°	200	2000	2800	830	1400
K0661.010100	black gray RAL 7021	3	90°	71°	250	2200	4500	1200	2800
K0661.012100	black gray RAL 7021	4	88°	68°	280	2400	5500	1000	2800
K0661.006103	traffic red RAL 3020	3	86°	67°	160	1350	1900	720	1200
K0661.008103	traffic red RAL 3020	3	86°	67°	200	2000	2800	830	1400
K0661.010103	traffic red RAL 3020	3	90°	71°	250	2200	4500	1200	2800
K0661.012103	traffic red RAL 3020	4	88°	68°	280	2400	5500	1000	2800

Order No.	Component color	M	A	A1	A2	A3	A4	B	B1	B2	B3	B6	C	C2	D	H	H1	L	L1
K0661.006101	ultramarine blue RAL 5002	M6x35	26	39	6,5	-	2,5	14,1	9,1	17,5	12,5	53,4	36,9	8	5,5	75,2	71	193,3	60,5
K0661.008101	ultramarine blue RAL 5002	M8x45	26	44	9	-	3,5	14,1	9,1	21	16	51,1	46,5	10,5	6,2	88,2	84,3	230,4	74,9
K0661.010101	ultramarine blue RAL 5002	M10x55	41,5	59	9	-	2	16,2	9,2	26	19	56,5	59,6	10	8,8	114,3	107,5	286	103,9
K0661.012101	ultramarine blue RAL 5002	M12x70	44	65	11	40	1	16,2	9,2	28	21	56,5	75,9	13,5	8,5	128,4	125,2	321,3	122
K0661.006100	black gray RAL 7021	M6x35	26	39	6,5	-	2,5	14,1	9,1	17,5	12,5	53,4	36,9	8	5,5	75,2	71	193,3	60,5
K0661.008100	black gray RAL 7021	M8x45	26	44	9	-	3,5	14,1	9,1	21	16	51,1	46,5	10,5	6,2	88,2	84,3	230,4	74,9
K0661.010100	black gray RAL 7021	M10x55	41,5	59	9	-	2	16,2	9,2	26	19	56,5	59,6	10	8,8	114,3	107,5	286	103,9
K0661.012100	black gray RAL 7021	M12x70	44	65	11	40	1	16,2	9,2	28	21	56,5	75,9	13,5	8,5	128,4	125,2	321,3	122
K0661.006103	traffic red RAL 3020	M6x35	26	39	6,5	-	2,5	14,1	9,1	17,5	12,5	53,4	36,9	8	5,5	75,2	71	193,3	60,5
K0661.008103	traffic red RAL 3020	M8x45	26	44	9	-	3,5	14,1	9,1	21	16	51,1	46,5	10,5	6,2	88,2	84,3	230,4	74,9
K0661.010103	traffic red RAL 3020	M10x55	41,5	59	9	-	2	16,2	9,2	26	19	56,5	59,6	10	8,8	114,3	107,5	286	103,9
K0661.012103	traffic red RAL 3020	M12x70	44	65	11	40	1	16,2	9,2	28	21	56,5	75,9	13,5	8,5	128,4	125,2	321,3	122