

Star grips, style H with projecting steel bushing with blind hole, metric

Item description/product images

METRIC
Parts



Description

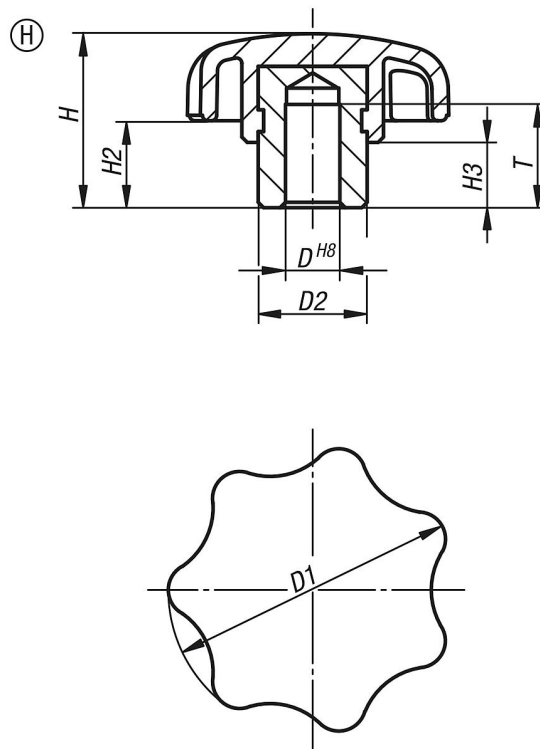
Version:

Metal parts trivalent blue passivated steel or bright stainless steel.

Note:

Star grips with projecting steel bushing and blind hole or internal thread are especially suited for cross pinning.

Drawings



Item No.	style	Component material	D	D1	D2	H	H2	H3	T
K0153.105	H	steel	5	25	10	17	9	7	9,5
K0153.106	H	steel	6	32	13,5	21	11	9,5	12,5
K0153.1061	H	steel	6	40	13,5	25	13	10	12,5
K0153.108	H	steel	8	40	13,5	25	13	10	12,5
K0153.1081	H	steel	8	50	19	32	17	12	19,5
K0153.110	H	steel	10	50	19	32	17	12	19,5

Star grips, style H with projecting steel bushing with blind hole, metric

Item No.	style	Component material	D	D1	D2	H	H2	H3	T
K0153.1101	H	steel	10	63	19	37	18	12	19,5
K0153.112	H	steel	12	63	19	37	18	12	19,5
K0153.116	H	steel	16	63	23	40	21	15	24,5