

Cam Action Indexing Plunger, steel version, Style C, metric

Item description/product images

METRIC
Parts



Description

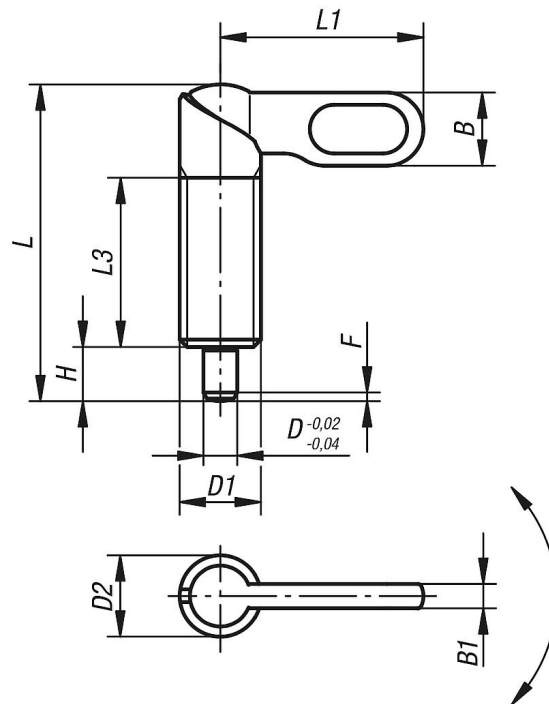
Material:
Steel quality class 5.8

Version:
Black oxide finish.
Pin hardened and ground.

Note:
For the inch series, dimensions D1 and SW are in inches, all other dimensions are in mm.
Cam-Action Indexing Plungers are used when the indexing pin should not project all the time. Turning the handle through 180° retracts the pin and a notch ensures that the handle remains in this position.

Drawings

Form C
grip powder-coated
without nut



Item No.	Style	D	D1	D2	L	L1	L3	B	B1	H	Fx30°	Spring force initial pressure F1 approx. N	Spring force final pressure F2 approx. N
K0348.060410	C	4	M10	10	38	25	20	9	3	6	1	8	14
K0348.060510	C	5	M10	10	38	25	20	9	3	6	1,3	8	14
K0348.060610	C	6	M10	10	38	25	20	9	3	6	1,8	8	14
K0348.0604101	C	4	M10x1	10	38	25	20	9	3	6	1	8	14
K0348.0605101	C	5	M10x1	10	38	25	20	9	3	6	1,3	8	14
K0348.0606101	C	6	M10x1	10	38	25	20	9	3	6	1,8	8	14

Cam Action Indexing Plunger, steel version, Style C, metric

Item No.	Style	D	D1	D2	L	L1	L3	B	B1	H	Fx30°	Spring force initial pressure F1 approx. N	Spring force final pressure F2 approx. N
K0348.060512	C	5	M12	12	46,8	30	25	10,8	3,6	8	1,3	8	15
K0348.060612	C	6	M12	12	46,8	30	25	10,8	3,6	8	1,8	8	15
K0348.060812	C	8	M12	12	46,8	30	25	10,8	3,6	8	2,3	8	15
K0348.0605121	C	5	M12x1,5	12	46,8	30	25	10,8	3,6	8	1,3	8	15
K0348.0606121	C	6	M12x1,5	12	46,8	30	25	10,8	3,6	8	1,8	8	15
K0348.0608121	C	8	M12x1,5	12	46,8	30	25	10,8	3,6	8	2,3	8	15
K0348.060616	C	6	M16	16	60,4	40	32	14,4	4,8	10	1,8	15	35
K0348.060816	C	8	M16	16	60,4	40	32	14,4	4,8	10	2,3	15	35
K0348.061016	C	10	M16	16	60,4	40	32	14,4	4,8	10	2,8	15	35
K0348.0606161	C	6	M16x1,5	16	60,4	40	32	14,4	4,8	10	1,8	15	35
K0348.0608161	C	8	M16x1,5	16	60,4	40	32	14,4	4,8	10	2,3	15	35
K0348.0610161	C	10	M16x1,5	16	60,4	40	32	14,4	4,8	10	2,8	15	35
K0348.060820	C	8	M20	20	70	50	35	18	6	12	2,3	20	60
K0348.061020	C	10	M20	20	70	50	35	18	6	12	2,8	20	60
K0348.061220	C	12	M20	20	70	50	35	18	6	12	3	20	60
K0348.0608201	C	8	M20x1,5	20	70	50	35	18	6	12	2,3	20	60
K0348.0610201	C	10	M20x1,5	20	70	50	35	18	6	12	2,8	20	60
K0348.0612201	C	12	M20x1,5	20	70	50	35	18	6	12	3	20	60