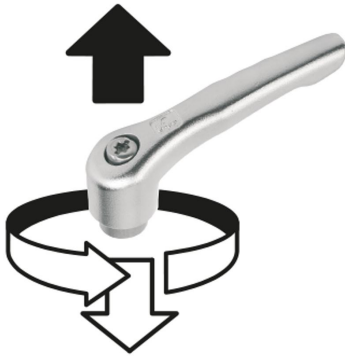


## Adjustable handles, stainless steel with internal thread and protective cap, threaded insert stainless steel, metric

Item description/product images



lift to  
disengage



### Description

#### Material:

Handle investment cast 1.4308 (AISI "316" equivalent).

Other steel parts 1.4305 (AISI 303 equivalent).

#### Version:

Handle electropolished.

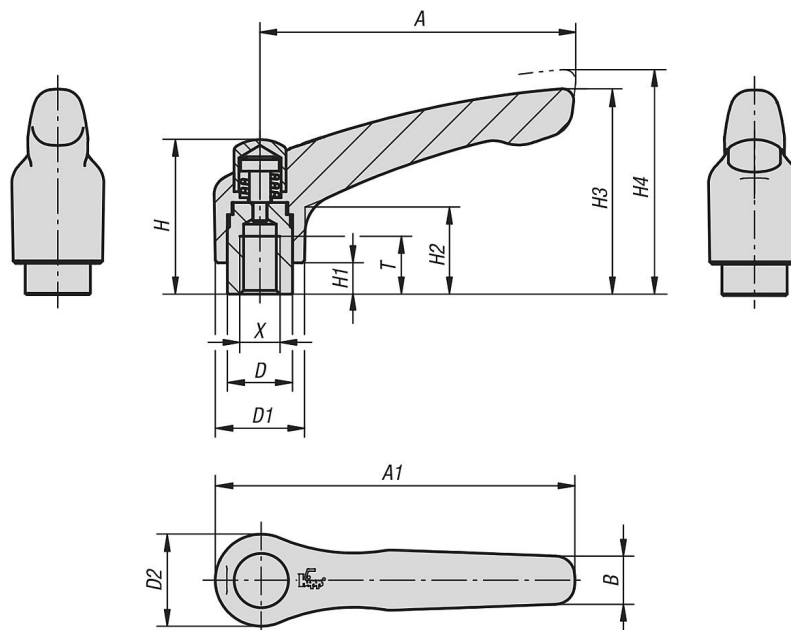
Steel parts bright.

#### On request:

Other threads and special versions.

Dimension "H1" available in other lengths at extra charge.

### Drawings



**Adjustable handles, stainless steel with internal thread and protective cap, threaded insert stainless steel, metric**

Order No.	Size	X	T	D	D1	D2	H	H1	H2	H3	H4	A	A1	B	No. of teeth
<b>K0124.9206</b>	2	M6	12	13,5	18,5	19	32	6,5	17,5	42,5	45,5	65	74,5	10	20
<b>K0124.9208</b>	2	M8	12	13,5	18,5	19	32	6,5	17,5	42,5	45,5	65	74,5	10	20
<b>K0124.9308</b>	3	M8	14	16	21	22	41,5	10	24	54,5	58,5	80	91	11	22
<b>K0124.9310</b>	3	M10	14	16	21	22	41,5	10	24	54,5	58,5	80	91	11	22