

Star Grips in stainless steel similar to DIN 6336, Style C, metric

Item description/product images



Description

Material:

Stainless steel 1.4308 (AISI "316" equivalent).

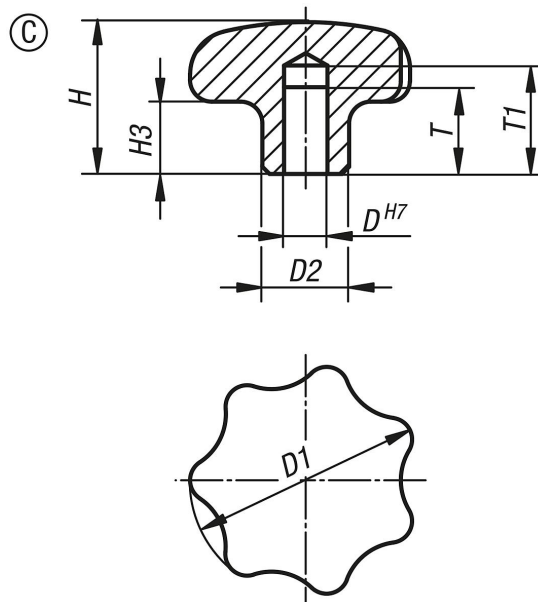
Version:

Ground and polished

Drawing reference:

Style C: blind hole

Drawings



Order No.	style	Surface finish body	D	D1	D2	H	H3	T	T1
K0150.332062	C	polished	6	32	12	21	10	12	15
K0150.340082	C	polished	8	40	14	26	13	15	18
K0150.350102	C	polished	10	50	18	34	17	18	21
K0150.363122	C	polished	12	63	20	42	21	22	25
K0150.332063	C	blasted	6	32	12	21	10	12	15
K0150.340083	C	blasted	8	40	14	26	13	15	18
K0150.350103	C	blasted	10	50	18	34	17	18	21
K0150.363123	C	blasted	12	63	20	42	21	22	25