

Tension levers flat, with internal thread, 0°, metric

Item description/product images

METRIC
Parts



Description

Material:

Steel parts grade 5.8.
Ball knob black plastic.

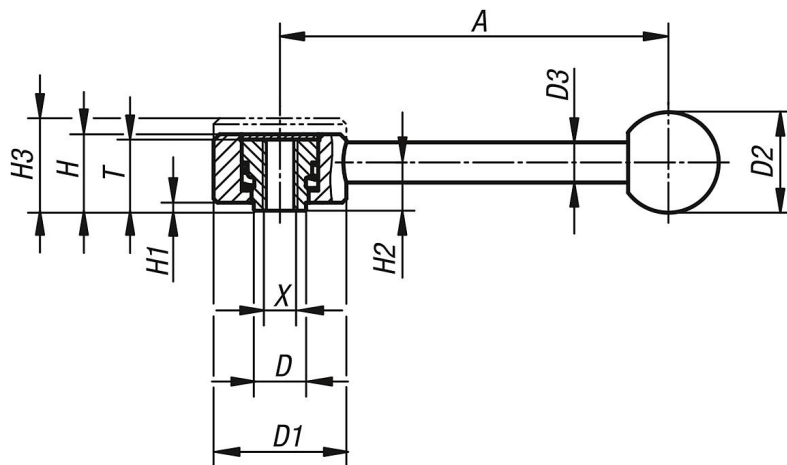
Version:

Black oxidized.

On request:

Other threads and special versions.
Dimensions "H1" and "A" available in other lengths at extra charge.

Drawings



Order No.	style	X	T	A	D	D1	D2	D3	H	H1	H2	H3	No. of teeth
K0114.1061	0°	M6	18	102	13,5	33	25	10	19	2	12	23	26
K0114.1081	0°	M8	18	102	13,5	33	25	10	19	2	12	23	26
K0114.2101	0°	M10	21	131	19	41	30	12	22	2	13,5	26	30
K0114.2121	0°	M12	21	131	19	41	30	12	22	2	13,5	26	30
K0114.3121	0°	M12	27	148	23	45	37	14	28	2	17	33	36
K0114.3161	0°	M16	27	148	23	45	37	14	28	2	17	33	36

