

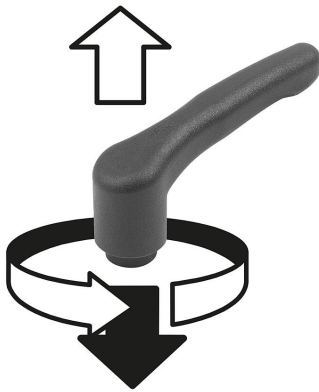
# Adjustable handles, plastic, visually detectable with internal thread

Item description/product images

## VD



Press to  
disengage



### Description

#### Product description:

The visually detectable operating parts are made from a EU10/2011 and FDA constyle blue colored plastic granulate.

The color ensures an optically discernible contrast between the operating parts and other media and materials. This means that in sensitive production sectors, e.g. foodstuff processing, plastic fragments of visually detectable operating parts can be identified and the risk of production downtimes or complaints are significantly reduced.

#### Material:

Thermoplastic (fiberglass reinforced polyamide), visually detectable, EU10/2011 and FDA constyle.

Steel parts stainless steel 1.4404 (AISI 316L equivalent).

#### Version:

Thermoplastic ultra marine RAL 5002.

Steel parts bright stainless steel.

#### Application:

- Foodstuff industry
- Pharmaceutical industry
- Packaging industry

#### Temperature range:

-20°C to +100°C.

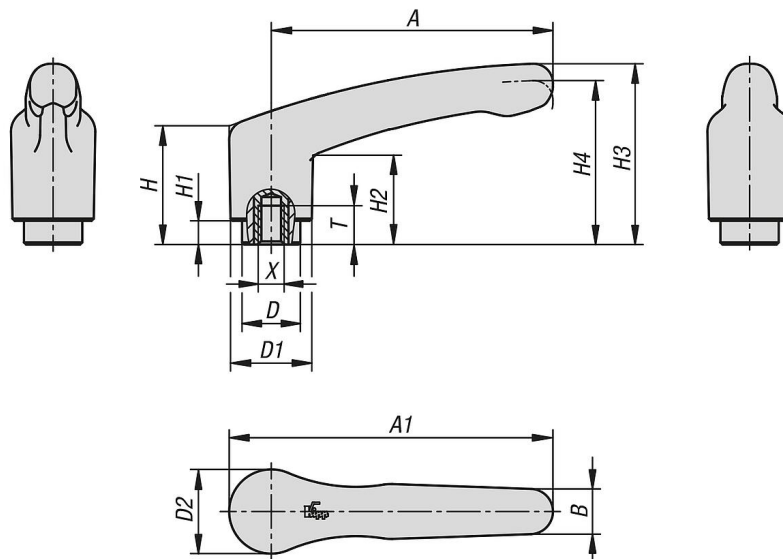
#### Benefits:

visually detectable.

Ultra marine RAL 5002.

Foodstuff constyle material.

### Drawings



## Adjustable handles, plastic, visually detectable with internal thread

### Adjustable handles, plastic, optically detectable with internal thread

Order No.	Main color	X	T	D	D1	D2	H	H1	H2	H3	H4	A	A1	B	No. of teeth
K1743.13206	ultramarine blue RAL 5002	M6	9	13,5	18,8	19,5	27,4	5,5	20,7	41,9	38	65,2	75	10,5	12
K1743.13208	ultramarine blue RAL 5002	M8	9	13,5	18,8	19,5	27,4	5,5	20,7	41,9	38	65,2	75	10,5	12