

Magnetic base for WLAN antenna

Item description/product images



Description

Product description:

The magnetic base can be installed between the Gateway and the antenna. Hence, the WLAN range and cover is increased and the reception improved.

Note:

Antenna base for WLAN rod antennas.

RP-SMA socket/plug.

Applicable for 2.4 GHz and 5 GHz WLAN products.

Strong magnet metal base.

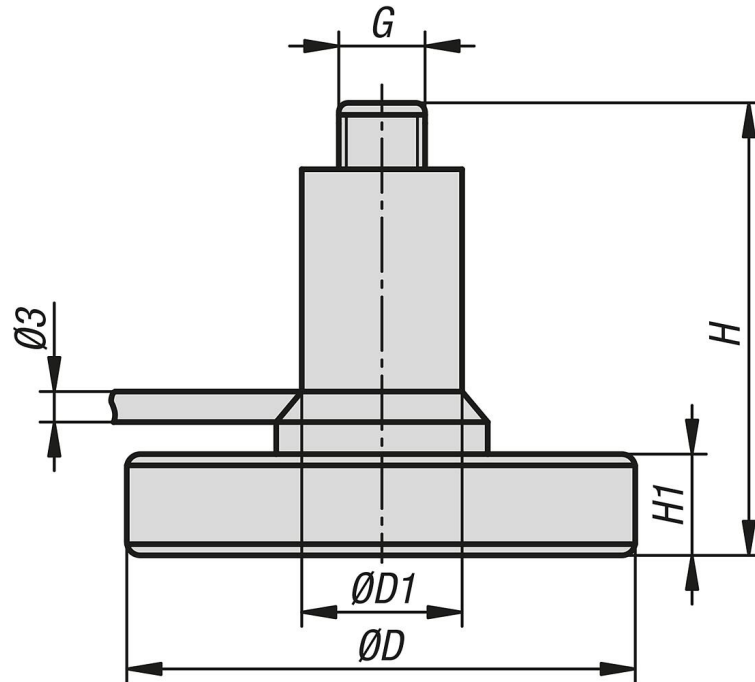
Cable length 1.5 m.

Benefits:

- WLAN antenna base, magnetic
- RP-SMA port
- 1.5 m low-loss cable

Magnetic base for WLAN antenna

Drawings



Magnetic base for WLAN antenna

Order No.	Length connection cable	Connection	D	D1	G	H	H1
K1845.01	1,5	RP-SMA socket/plug	48	15	1/4-28	43,5	9,5