

## Adjustable handle, stainless steel with extended collar with external thread, steel parts stainless steel

Item description/product images



### Description

#### Product description:

The aluminum with extended collar replaces the screw on tube clamps or similar fixtures. This enables tool-free tightening and loosening of the screw connection. The stainless steel aluminum with its ergonomic handle design has a modern high-quality appearance and provides comfortable haptics.

#### Material:

Grip lever investment cast 1.4308 (AISI CF-8 equivalent).  
Steel parts stainless steel 1.4305 (AISI 303 equivalent).

#### Version:

Handle electropolished.  
Steel parts bright.

#### Note:

A recommendation for the suitable adjustable handle is given in the tube clamp dimension tables.

#### Benefits:

Tool-free clamping and releasing of tube clamps

#### On request:

Other threads, screw lengths, colors and special versions.  
Dimension "H1" available in other lengths at extra charge.

#### Accessory:

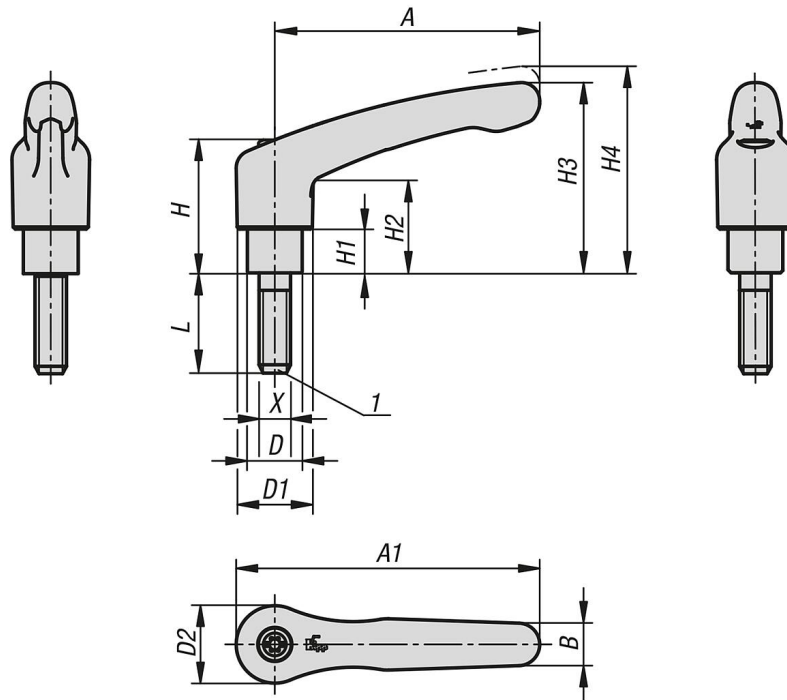
For tube clamps

#### Drawing reference:

1) DIN EN ISO 4753 flat point

**Adjustable handle, stainless steel with extended collar with external thread, steel parts stainless steel**

Drawings



**Adjustable Handle, stainless steel with extended collar, with external thread, steel parts stainless steel**

Order No.	Size	A	A1	B	D	D1	D2	H1	H2	H3	H4	L	X	Thread type	No. of teeth
K0124.10610X18	1	40	47	7	10	13	14	10	20,5	37	40	18	M6	external thread	16