

Adjustable handle, plastic with extended collar with external thread, steel parts stainless steel

Item description/product images



Description

Product description:

The aluminum with extended collar replaces the screw on tube clamps or similar fixtures. This enables tool-free tightening and loosening of the screw connection. The plastic aluminum with its ergonomic handle design has a modern high-quality appearance and provides comfortable haptics.

Material:

Grip lever, high performance fiberglass reinforced thermoplastic.
Steel parts stainless steel 1.4305 (AISI 303 equivalent).

Version:

Grip lever black gray RAL 7021.
Steel parts bright.

Note:

A recommendation for the suitable adjustable handle is given in the tube clamp dimension tables.

Temperature range:

Permanent temperature max. 100 °C.
Brief use with temperatures up to 130 °C.

Benefits:

Tool-free clamping and releasing of tube clamps
High rigidity and strength
Low weight
Good chemical and corrosion resistance.

On request:

Other screw sizes, screw lengths, colors and special versions.
Length "H1" optionally available in other lengths for an additional charge.
High temperature black-gray plastic.
Permanent operating temperature acc. to IEC 216 150 °C - 160 °C max.
Brief use with temperatures up to 250 °C.
Can be steam-sterilised (hydrolysis resistant) and is suitable for hot water applications

Accessory:

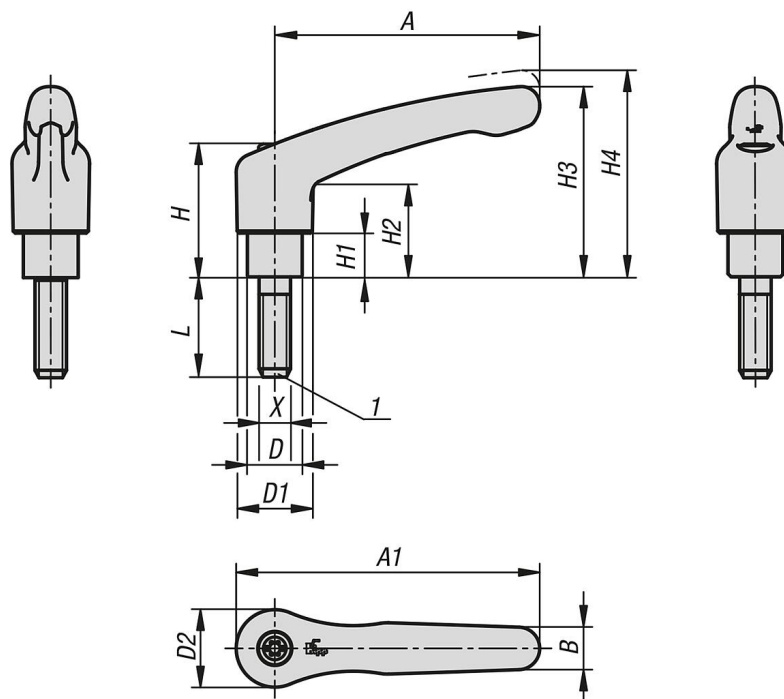
For tube clamps

Drawing reference:

1) DIN EN ISO 4753 flat point

Adjustable handle, plastic with extended collar with external thread, steel parts stainless steel

Drawings



Adjustable Handle, plastic with extended collar, with external thread, steel parts stainless steel

Order No.	Size	A	A1	B	D	D1	D2	H1	H2	H3	H4	L	X	Thread type	No. of teeth
K1701.106101X16	1	39,9	46,8	7,9	10	13,2	13,8	10	20,2	36,8	41	16	M6	external thread	16
K1701.106101X18	1	39,9	46,8	7,9	10	13,2	13,8	10	20,2	36,8	41	18	M6	external thread	16
K1701.208141X16	2	65,2	74,8	10,5	13	18,5	19,1	14	26,1	50,1	54,6	16	M8	external thread	20
K1701.208141X20	2	65,2	74,8	10,5	13	18,5	19,1	14	26,1	50,1	54,6	20	M8	external thread	20
K1701.208141X25	2	65,2	74,8	10,5	13	18,5	19,1	14	26,1	50,1	54,6	25	M8	external thread	20