

# End sleeves

## Item description/product images



### Description

**Material:**  
Brass.

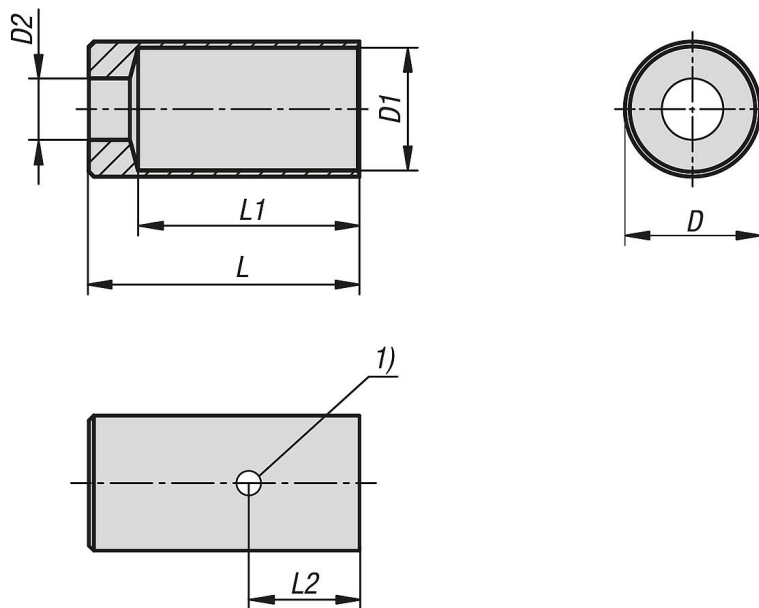
**Version:**  
Trivalent blue passivated.

**Note:**  
The end sleeve is a replacement part for the indexing plungers with remote actuation K1502.

**Accessory:**  
Wire cable with ball K2023.  
Traction sleeve with inner tube K2024.  
Setscrew K2026.  
Screw nipple K2027.  
Hex nut K0700.

**Drawing reference:**  
1) Press area

## Drawings



## End sleeves

| Order No.  | Main material | Surface finish body       | D   | D1 | D2  | L  | L1 | L2  |
|------------|---------------|---------------------------|-----|----|-----|----|----|-----|
| K2025.0350 | brass         | trivalent blue passivated | 5,5 | 5  | 2,5 | 11 | 9  | 4,5 |

