

## Steel telescopic slides for side mounting, over-extension, load capacity up to 68 kg

Item description/product images



### Description

#### Material:

Slides steel.  
Ball cages steel.  
Balls, steel.

#### Version:

Slides electro zinc-plated.  
Ball cages, electro zinc-plated.  
Balls hardened.

#### Order information:

Sold in pairs.

#### Note:

On telescopic slides with over-extension, the travel is greater than the installed length. Latches in open and closed positions. When the release lever is actuated, the drawer can be taken out easily and separated from the guide.  
The dynamic load capacity of the telescopic slides indicates the maximum load rating of a vertically mounted slide pair when the entire extension length is used. The load capacity specified is calculated with a slide spacing of 450 mm and is based on the maximum value with 10,000 cycles.

The load capacity is ca. 75% lower by horizontal mounting.

#### Temperature range:

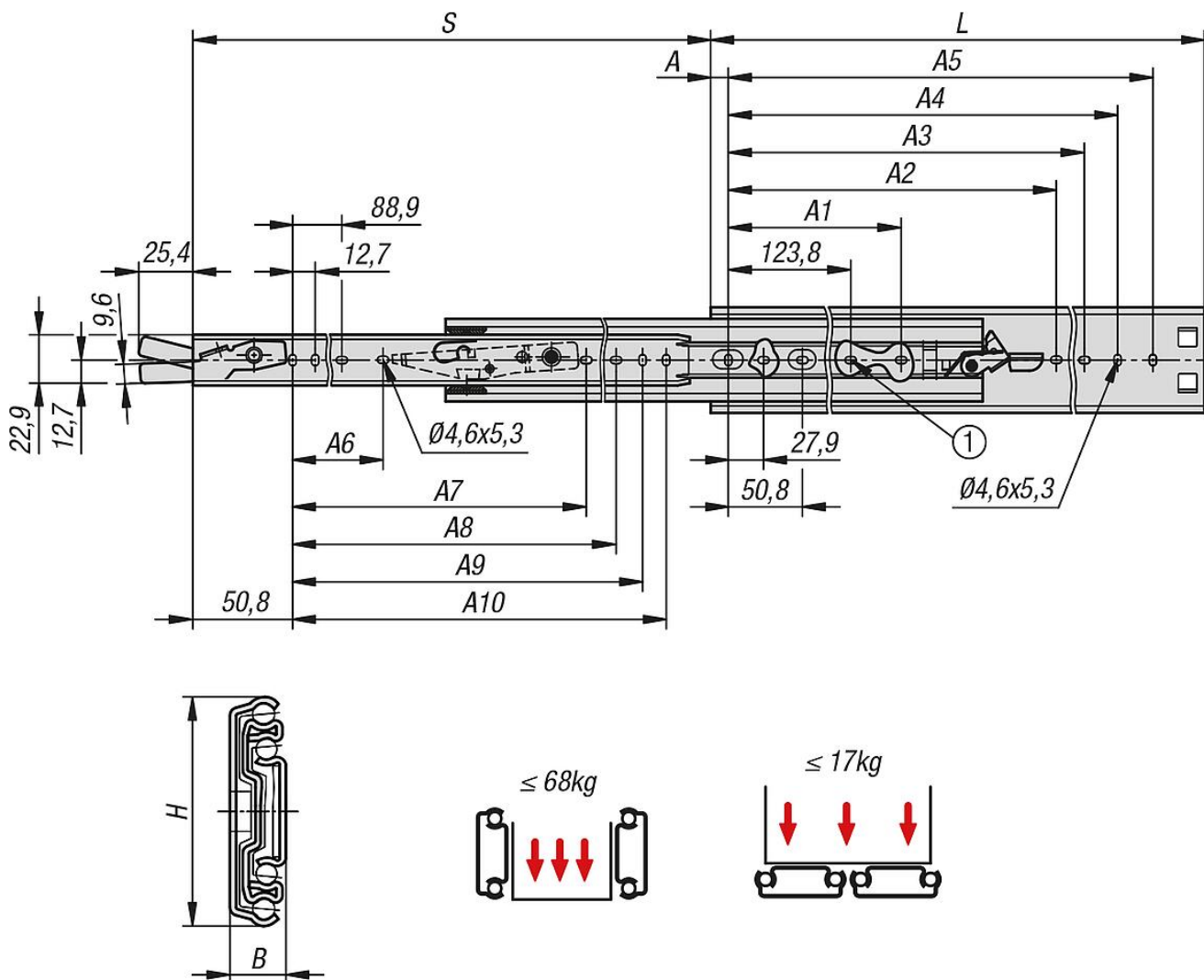
-20 °C - +70 °C.

#### Drawing reference:

1) Mounting hole by K2091.0305 not available.

## Steel telescopic slides for side mounting, over-extension, load capacity up to 68 kg

Drawings



### Steel telescopic slides for side mounting, over-extension, load capacity up to 68 kg

Order No.	A	A1	A2	A3	A4	A5	A6	A7	A8	A9	A10	B
K2091.0305	16	-	-	209,5	234,9	260,3	-	-	200,1	212,8	225,5	12,7
K2091.0356	16	-	-	260,3	285,7	311,1	-	-	250,9	263,6	276,3	12,7
K2091.0406	16	-	-	311,1	336,5	361,9	-	-	301,7	314,4	327,1	12,7
K2091.0457	16	177,8	314,4	361,9	387,3	412,7	143	279,4	352,5	365,2	377,9	12,7
K2091.0508	16	203,2	365,2	412,7	438,1	463,5	168,4	330,2	403,3	416	428,7	12,7
K2091.0559	16	228,6	416	463,5	488,9	514,3	193,8	381	454,1	466,8	479,5	12,7
K2091.0610	16	254	466,8	514,3	539,7	565,1	219,2	431,8	504,9	517,6	530,3	12,7
K2091.0660	16	279,4	517,6	565,1	590,5	615,9	244,6	482,6	555,7	568,4	581,1	12,7
K2091.0711	16	304,8	568,4	615,9	641,3	666,7	270	533,4	606,5	619,2	631,9	12,7

Order No.	H	Travel S	L	Fp1= load capacity/pair 10.000 cycl.	Assembly	Product type	Packaging type
K2091.0305	50,8	330	305	68	side mounting	standard	1 piece = 1 pair
K2091.0356	50,8	381	356	67	side mounting	standard	1 piece = 1 pair
K2091.0406	50,8	432	406	67	side mounting	standard	1 piece = 1 pair
K2091.0457	50,8	483	457	66	side mounting	standard	1 piece = 1 pair

## Steel telescopic slides for side mounting, over-extension, load capacity up to 68 kg

Order No.	H	Travel S	L	Fp1= load capacity/pair 10.000 cycl.	Assembly	Product type	Packaging type
<b>K2091.0508</b>	50,8	533	508	66	side mounting	standard	1 piece = 1 pair
<b>K2091.0559</b>	50,8	584	559	64	side mounting	standard	1 piece = 1 pair
<b>K2091.0610</b>	50,8	635	610	61	side mounting	standard	1 piece = 1 pair
<b>K2091.0660</b>	50,8	686	660	58	side mounting	standard	1 piece = 1 pair
<b>K2091.0711</b>	50,8	737	711	55	side mounting	standard	1 piece = 1 pair