

DIN 433 washer, steel or stainless steel

Item description/product images



Description

Material:

Washers steel or stainless steel.

Version:

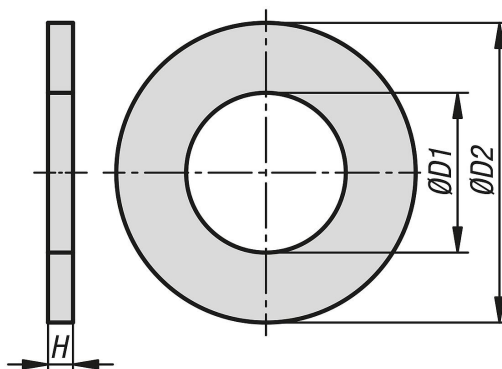
Steel bright or electro zinc-plated.

Stainless steel bright.

Note:

DIN 433 washers are washers manufactured as per the DIN 433 standard. The washers are used to distribute the load over a larger area and prevent the screw head or nut from penetrating the material.

Drawings



DIN 433 washer, steel or stainless steel

Order No.	Main material	Surface finish body	D1	D2	H	for screws
K2099.030	steel	bright	3,2	6	0,5	M3
K2099.040	steel	bright	4,3	8	0,5	M4
K2099.050	steel	bright	5,3	9	1	M5
K2099.060	steel	bright	6,4	11	1,6	M6
K2099.080	steel	bright	8,4	15	1,6	M8
K2099.100	steel	bright	10,5	18	1,6	M10
K2099.120	steel	bright	13	20	2	M12
K2099.140	steel	bright	15	24	2,5	M14
K2099.160	steel	bright	17	28	2,5	M16
K2099.180	steel	bright	19	30	3	M18
K2099.200	steel	bright	21	34	3	M20
K2099.031	steel	electro zinc-plated	3,2	6	0,5	M3
K2099.041	steel	electro zinc-plated	4,3	8	0,5	M4
K2099.051	steel	electro zinc-plated	5,3	9	1	M5
K2099.061	steel	electro zinc-plated	6,4	11	1,6	M6
K2099.081	steel	electro zinc-plated	8,4	15	1,6	M8
K2099.101	steel	electro zinc-plated	10,5	18	1,6	M10
K2099.121	steel	electro zinc-plated	13	20	2	M12
K2099.141	steel	electro zinc-plated	15	24	2,5	M14
K2099.161	steel	electro zinc-plated	17	28	2,5	M16
K2099.181	steel	electro zinc-plated	19	30	3	M18
K2099.201	steel	electro zinc-plated	21	34	3	M20
K2099.1030	stainless steel A2	bright	3,2	6	0,5	M3

DIN 433 washer, steel or stainless steel

Order No.	Main material	Surface finish body	D1	D2	H	for screws
K2099.1040	stainless steel A2	bright	4,3	8	0,5	M4
K2099.1050	stainless steel A2	bright	5,3	9	1	M5
K2099.1060	stainless steel A2	bright	6,4	11	1,6	M6
K2099.1080	stainless steel A2	bright	8,4	15	1,6	M8
K2099.1100	stainless steel A2	bright	10,5	18	1,6	M10
K2099.1120	stainless steel A2	bright	13	20	2	M12
K2099.1140	stainless steel A2	bright	15	24	2,5	M14
K2099.1160	stainless steel A2	bright	17	28	2,5	M16
K2099.6030	stainless steel A4	bright	3,2	6	0,5	M3
K2099.6040	stainless steel A4	bright	4,3	8	0,5	M4
K2099.6050	stainless steel A4	bright	5,3	9	1	M5
K2099.6060	stainless steel A4	bright	6,4	11	1,6	M6
K2099.6080	stainless steel A4	bright	8,4	15	1,6	M8
K2099.6100	stainless steel A4	bright	10,5	18	1,6	M10
K2099.6120	stainless steel A4	bright	13	20	2	M12
K2099.6160	stainless steel A4	bright	17	28	2,5	M16
K2099.6180	stainless steel A4	bright	19	30	3	M18
K2099.6200	stainless steel A4	bright	21	34	3	M20