

Linear ball bearing with internal race, steel, load capacity up to 3,959 kg

Item description/product images



Description

Material:

Rail and race ball-bearing steel.

Balls, ball-bearing steel.

Ball cage steel.

Version:

Rail, runner and ball cage electro zinc-plated.

Race inductively hardened.

Balls hardened.

Order information:

Sold individually.

Note:

Linear ball bearing consisting of a guide rail and a race which runs within the ball cage in the guide rail. Mounting should be carried out horizontally if possible.

The internal stops limit the cage. Provide external stops for a loaded system.

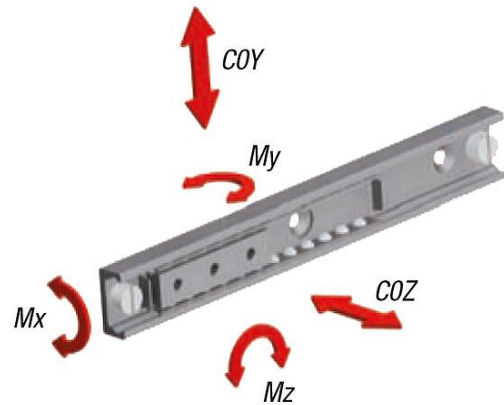
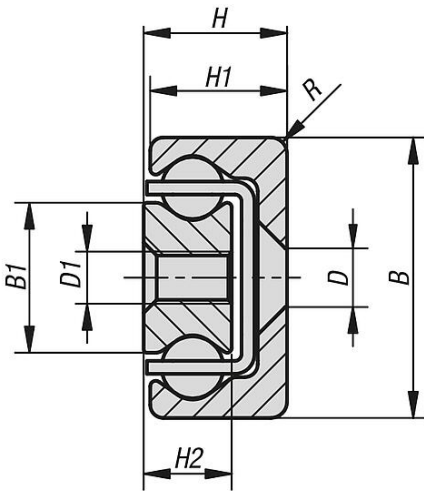
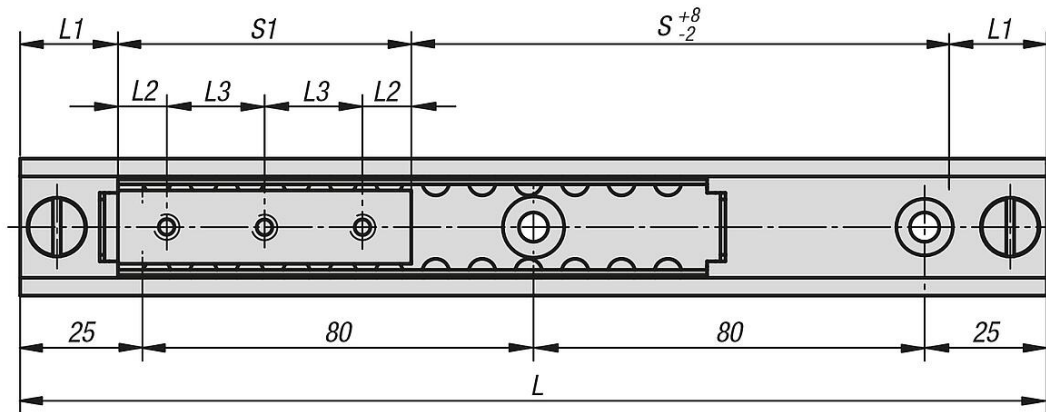
Use grade 10.9 DIN EN ISO 10642 countersunk head screws to install the rail.

The maximum traversing speed is 0.8 m/s.

Application temperature -30 °C to +170 °C.

Linear ball bearing with internal race, steel, load capacity up to 3,959 kg

Drawings



Linear ball bearings with internal race, steel, load capacity up to 3,959 kg

| Order No. | Size | B | B1 | Travel S | D for screw | D1 | H | H1 | H2 | L | L1 | L2 | L3 | R | S1=Slide | COY N | COZ N | Mx Nm | My Nm | Mz Nm | No. of holes |
|-----------------|------|----|------|----------|-------------|----|----|-------|-----|------|----|----|----|---|----------|-------|-------|-------|-------|-------|--------------|
| K2022.280600130 | 28 | 28 | 15 | 30 | M5 | M5 | 13 | 12,25 | 7,5 | 130 | 20 | 10 | 20 | 1 | 60 | 3480 | 2436 | 17,1 | 24 | 35 | 3 |
| K2022.280600210 | 28 | 28 | 15 | 110 | M5 | M5 | 13 | 12,25 | 7,5 | 210 | 20 | 10 | 20 | 1 | 60 | 3480 | 2436 | 17,1 | 24 | 35 | 3 |
| K2022.280600290 | 28 | 28 | 15 | 190 | M5 | M5 | 13 | 12,25 | 7,5 | 290 | 20 | 10 | 20 | 1 | 60 | 3480 | 2436 | 17,1 | 24 | 35 | 3 |
| K2022.280600370 | 28 | 28 | 15 | 270 | M5 | M5 | 13 | 12,25 | 7,5 | 370 | 20 | 10 | 20 | 1 | 60 | 3480 | 2436 | 17,1 | 24 | 35 | 3 |
| K2022.280800290 | 28 | 28 | 15 | 170 | M5 | M5 | 13 | 12,25 | 7,5 | 290 | 20 | 10 | 20 | 1 | 80 | 4640 | 3248 | 22,7 | 43 | 62 | 4 |
| K2022.280800370 | 28 | 28 | 15 | 250 | M5 | M5 | 13 | 12,25 | 7,5 | 370 | 20 | 10 | 20 | 1 | 80 | 4640 | 3248 | 22,7 | 43 | 62 | 4 |
| K2022.280800450 | 28 | 28 | 15 | 330 | M5 | M5 | 13 | 12,25 | 7,5 | 450 | 20 | 10 | 20 | 1 | 80 | 4640 | 3248 | 22,7 | 43 | 62 | 4 |
| K2022.280800610 | 28 | 28 | 15 | 490 | M5 | M5 | 13 | 12,25 | 7,5 | 610 | 20 | 10 | 20 | 1 | 80 | 4640 | 3248 | 22,7 | 43 | 62 | 4 |
| K2022.281300290 | 28 | 28 | 15 | 120 | M5 | M5 | 13 | 12,25 | 7,5 | 290 | 20 | 25 | 80 | 1 | 130 | 7540 | 5278 | 36,9 | 114 | 163 | 2 |
| K2022.281300370 | 28 | 28 | 15 | 200 | M5 | M5 | 13 | 12,25 | 7,5 | 370 | 20 | 25 | 80 | 1 | 130 | 7540 | 5278 | 36,9 | 114 | 163 | 2 |
| K2022.281300450 | 28 | 28 | 15 | 280 | M5 | M5 | 13 | 12,25 | 7,5 | 450 | 20 | 25 | 80 | 1 | 130 | 7540 | 5278 | 36,9 | 114 | 163 | 2 |
| K2022.281300610 | 28 | 28 | 15 | 440 | M5 | M5 | 13 | 12,25 | 7,5 | 610 | 20 | 25 | 80 | 1 | 130 | 7540 | 5278 | 36,9 | 114 | 163 | 2 |
| K2022.281300690 | 28 | 28 | 15 | 520 | M5 | M5 | 13 | 12,25 | 7,5 | 690 | 20 | 25 | 80 | 1 | 130 | 7540 | 5278 | 36,9 | 114 | 163 | 2 |
| K2022.282100450 | 28 | 28 | 15 | 200 | M5 | M5 | 13 | 12,25 | 7,5 | 450 | 20 | 25 | 80 | 1 | 210 | 12180 | 8526 | 59,7 | 298 | 426 | 3 |
| K2022.282100610 | 28 | 28 | 15 | 360 | M5 | M5 | 13 | 12,25 | 7,5 | 610 | 20 | 25 | 80 | 1 | 210 | 12180 | 8526 | 59,7 | 298 | 426 | 3 |
| K2022.282101010 | 28 | 28 | 15 | 760 | M5 | M5 | 13 | 12,25 | 7,5 | 1010 | 20 | 25 | 80 | 1 | 210 | 12180 | 8526 | 59,7 | 298 | 426 | 3 |
| K2022.351300290 | 35 | 35 | 15,8 | 110 | M6 | M6 | 17 | 16 | 10 | 290 | 25 | 25 | 80 | 2 | 130 | 9750 | 6825 | 47,2 | 148 | 211 | 2 |
| K2022.351300450 | 35 | 35 | 15,8 | 270 | M6 | M6 | 17 | 16 | 10 | 450 | 25 | 25 | 80 | 2 | 130 | 9750 | 6825 | 47,2 | 148 | 211 | 2 |
| K2022.351300770 | 35 | 35 | 15,8 | 590 | M6 | M6 | 17 | 16 | 10 | 770 | 25 | 25 | 80 | 2 | 130 | 9750 | 6825 | 47,2 | 148 | 211 | 2 |
| K2022.352100450 | 35 | 35 | 15,8 | 190 | M6 | M6 | 17 | 16 | 10 | 450 | 25 | 25 | 80 | 2 | 210 | 15750 | 11025 | 76,3 | 386 | 551 | 3 |

Linear ball bearing with internal race, steel, load capacity up to 3,959 kg

| Order No. | Size | B | B1 | Travel S | D for screw | D1 | H | H1 | H2 | L | L1 | L2 | L3 | R | S1=Slide | COY N | COZ N | Mx Nm | My Nm | Mz Nm | No. of holes |
|------------------------|------|----|------|-------------|----------------|----|----|----|------|------|----|----|----|-----|----------|----------|----------|----------|----------|----------|-----------------|
| K2022.352100690 | 35 | 35 | 15,8 | 430 | M6 | M6 | 17 | 16 | 10 | 690 | 25 | 25 | 80 | 2 | 210 | 15750 | 11025 | 76,3 | 386 | 551 | 3 |
| K2022.352101010 | 35 | 35 | 15,8 | 750 | M6 | M6 | 17 | 16 | 10 | 1010 | 25 | 25 | 80 | 2 | 210 | 15750 | 11025 | 76,3 | 386 | 551 | 3 |
| K2022.352900610 | 35 | 35 | 15,8 | 270 | M6 | M6 | 17 | 16 | 10 | 610 | 25 | 25 | 80 | 2 | 290 | 21750 | 15225 | 105,3 | 736 | 1051 | 4 |
| K2022.352900930 | 35 | 35 | 15,8 | 590 | M6 | M6 | 17 | 16 | 10 | 930 | 25 | 25 | 80 | 2 | 290 | 21750 | 15225 | 105,3 | 736 | 1051 | 4 |
| K2022.352901330 | 35 | 35 | 15,8 | 990 | M6 | M6 | 17 | 16 | 10 | 1330 | 25 | 25 | 80 | 2 | 290 | 21750 | 15225 | 105,3 | 736 | 1051 | 4 |
| K2022.432100450 | 43 | 43 | 23 | 190 | M8 | M8 | 22 | 21 | 13,5 | 450 | 25 | 25 | 80 | 2,5 | 210 | 22470 | 15729 | 155,1 | 551 | 786 | 3 |
| K2022.432100690 | 43 | 43 | 23 | 430 | M8 | M8 | 22 | 21 | 13,5 | 690 | 25 | 25 | 80 | 2,5 | 210 | 22470 | 15729 | 155,1 | 551 | 786 | 3 |
| K2022.432101010 | 43 | 43 | 23 | 750 | M8 | M8 | 22 | 21 | 13,5 | 1010 | 25 | 25 | 80 | 2,5 | 210 | 22470 | 15729 | 155,1 | 551 | 786 | 3 |
| K2022.433700770 | 43 | 43 | 23 | 350 | M8 | M8 | 22 | 21 | 13,5 | 770 | 25 | 25 | 80 | 2,5 | 370 | 39590 | 27713 | 273,2 | 1709 | 2441 | 5 |
| K2022.433701010 | 43 | 43 | 23 | 590 | M8 | M8 | 22 | 21 | 13,5 | 1010 | 25 | 25 | 80 | 2,5 | 370 | 39590 | 27713 | 273,2 | 1709 | 2441 | 5 |
| K2022.433701490 | 43 | 43 | 23 | 1070 | M8 | M8 | 22 | 21 | 13,5 | 1490 | 25 | 25 | 80 | 2,5 | 370 | 39590 | 27713 | 273,2 | 1709 | 2441 | 5 |