

Rod ends with plain bearing, external thread, narrow head, DIN ISO 12240-1 maintenance-free

Item description/product images



Description

Material:

Housing size (D) 6-10 turned steel.

From size (D) 12 forged steel.

Ball joint ball bearing steel, hardened, ground, polished and hard chromed.

Bearing shell ball bearing steel with PTFE weave glued in.

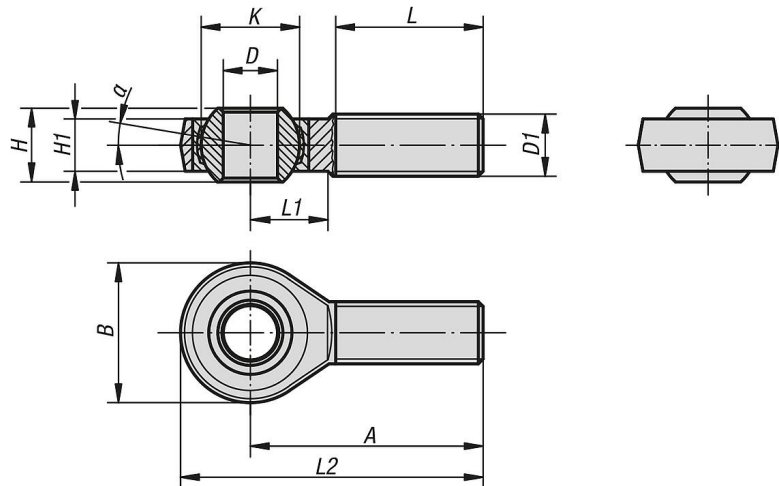
Version:

Electro zinc-plated.

Note:

The rod end bearing is maintenance-free. The connection dimensions comply with DIN 648 style Series E.

Drawings



Rod ends with plain bearing, external thread, narrow head, DIN ISO 12240-1, maintenance-free

Order No.	Version 2	Main material	A	B	D	D1	H	H1	K	L	L1	L2	α	Dynamic base loads kN	Static base loads kN
K2083.06	rh thread	free-cutting steel	36	21	6	M6x1,0	6	4,4	10	18	12	46,5	13	3,6	8,15
K2083.08	rh thread	free-cutting steel	42	24	8	M8x1,25	8	6	13	22	14	54	15	5,85	12,9
K2083.10	rh thread	free-cutting steel	48	29	10	M10x1,5	9	7	16	26	15	62,5	12	8,65	17,6
K2083.12	rh thread	free-cutting steel	54	34	12	M12x1,75	10	8	18	28	18	71	11	11,4	24,5
K2083.17	rh thread	carbon steel	69	46	17	M16x2,0	14	11	25	36	23	92	10	22,4	45
K2083.20	rh thread	carbon steel	78	53	20	M20x1,5	16	13	29	43	27	104,5	9	31,5	60
K2083.25	rh thread	carbon steel	94	64	25	M24x2,0	20	17	35,5	53	32	126	7	51	83
K2083.30	rh thread	carbon steel	110	73	30	M30x2,0	22	19	40,7	65	37	146,5	6	66,5	110
K2083.061	lh thread	free-cutting steel	36	21	6	M6x1,0	6	4,4	10	18	12	46,5	13	3,6	8,15
K2083.081	lh thread	free-cutting steel	42	24	8	M8x1,25	8	6	13	22	14	54	15	5,85	12,9
K2083.101	lh thread	free-cutting steel	48	29	10	M10x1,5	9	7	16	26	15	62,5	12	8,65	17,6
K2083.121	lh thread	free-cutting steel	54	34	12	M12x1,75	10	8	18	28	18	71	11	11,4	24,5
K2083.171	lh thread	carbon steel	69	46	17	M16x2,0	14	11	25	36	23	92	10	22,4	45
K2083.201	lh thread	carbon steel	78	53	20	M20x1,5	16	13	29	43	27	104,5	9	31,5	60
K2083.251	lh thread	carbon steel	94	64	25	M24x2,0	20	17	35,5	53	32	126	7	51	83
K2083.301	lh thread	carbon steel	110	73	30	M30x2,0	22	19	40,7	65	37	146,5	6	66,5	110

