

T-grips, plastic

Item description/product images



Description

Material:

Thermoset PF 31, black.
Steel bushing and stud, electro zinc-plated.

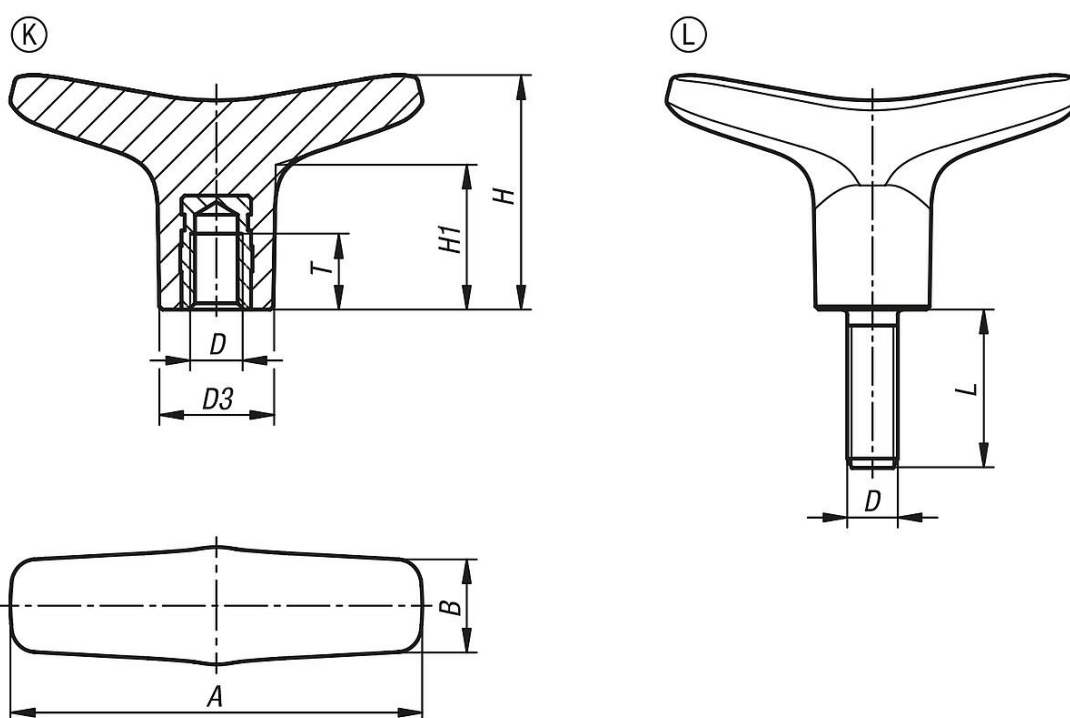
Version:

High-gloss polished.

On request:

Other screw sizes, screw lengths and colors.

Drawings



T-grips, plastic

Order No.	style	Thread type	A	B	D	D3	H	H1	L	T
K1871.16506	K	internal thread	65,1	14,6	M6	18	37	22,9	-	9
K1871.16508	K	internal thread	65,1	14,6	M8	18	37	22,9	-	12
K1871.17508	K	internal thread	75,1	18,4	M8	22	41,2	25,2	-	12
K1871.17510	K	internal thread	75,1	18,4	M10	22	41,2	25,2	-	15
K1871.18510	K	internal thread	85,2	19,6	M10	24	44,8	26,5	-	15
K1871.18512	K	internal thread	85,2	19,6	M12	24	44,8	26,5	-	18
K1871.26506X20	L	external thread	65,1	14,6	M6	18	37	22,9	20	-
K1871.26506X25	L	external thread	65,1	14,6	M6	18	37	22,9	25	-
K1871.26506X30	L	external thread	65,1	14,6	M6	18	37	22,9	30	-
K1871.26506X40	L	external thread	65,1	14,6	M6	18	37	22,9	40	-
K1871.26508X20	L	external thread	65,1	14,6	M8	18	37	22,9	20	-
K1871.26508X25	L	external thread	65,1	14,6	M8	18	37	22,9	25	-
K1871.26508X30	L	external thread	65,1	14,6	M8	18	37	22,9	30	-
K1871.26508X40	L	external thread	65,1	14,6	M8	18	37	22,9	40	-

T-grips, plastic

Order No.	style	Thread type	A	B	D	D3	H	H1	L	T
K1871.27508X20	L	external thread	75,1	18,4	M8	22	41,2	25,2	20	-
K1871.27508X25	L	external thread	75,1	18,4	M8	22	41,2	25,2	25	-
K1871.27508X30	L	external thread	75,1	18,4	M8	22	41,2	25,2	30	-
K1871.27508X40	L	external thread	75,1	18,4	M8	22	41,2	25,2	40	-
K1871.27510X30	L	external thread	75,1	18,4	M10	22	41,2	25,2	30	-
K1871.27510X40	L	external thread	75,1	18,4	M10	22	41,2	25,2	40	-
K1871.27510X50	L	external thread	75,1	18,4	M10	22	41,2	25,2	50	-
K1871.28510X30	L	external thread	85,2	19,6	M10	24	44,8	26,5	30	-
K1871.28510X40	L	external thread	85,2	19,6	M10	24	44,8	26,5	40	-
K1871.28510X50	L	external thread	85,2	19,6	M10	24	44,8	26,5	50	-
K1871.28512X30	L	external thread	85,2	19,6	M12	24	44,8	26,5	30	-
K1871.28512X40	L	external thread	85,2	19,6	M12	24	44,8	26,5	40	-
K1871.28512X50	L	external thread	85,2	19,6	M12	24	44,8	26,5	50	-