

## Ball-end thrust screws without head with flattened ball and rotation lock

### Item description/product images



### Description

#### Material:

Screw carbon steel, grade min. 10.9  
Ball, ball-bearing steel.

#### Version:

Screw black.  
Ball hardened and bright.

#### Note:

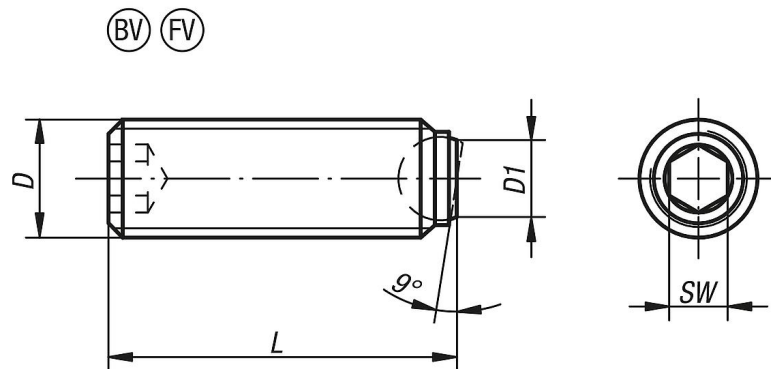
Surfaces which are not flat and parallel can be firmly clamped or supported with a flattened ball, the movable ball can adapt itself up to 9°.  
Longer versions have been designed especially to be glued in. This enables mechanical connecting elements with external thread to be made cost-effectively for small and medium-sized series.

#### Drawing reference:

Style BV: flattened ball non-rotating

Style FV: flattened ball diamond grip non-rotating

### Drawings



### Ball-end thrust screws without head, with flattened ball and rotation lock

Order No.	style	D	D1	L	Ball-Ø	SW	Load rating max. kN (static load only)
K0383.50612	BV	M6	3	12,1	4	3	6
K0383.50616	BV	M6	3	16,1	4	3	6
K0383.50620	BV	M6	3	20,1	4	3	6
K0383.50625	BV	M6	3	25,1	4	3	6
K0383.50816	BV	M8	4,1	16,3	5,5	4	9
K0383.50820	BV	M8	4,1	20,3	5,5	4	9
K0383.50825	BV	M8	4,1	25,3	5,5	4	9
K0383.50830	BV	M8	4,1	30,3	5,5	4	9
K0383.51020	BV	M10	5,6	20,3	7	5	12
K0383.51025	BV	M10	5,6	25,3	7	5	12
K0383.51035	BV	M10	5,6	35,3	7	5	12
K0383.51040	BV	M10	5,6	40,2	7	5	12
K0383.51230	BV	M12	7	30,2	8,5	6	18
K0383.51220	BV	M12	7	20,2	8,5	6	18

## Ball-end thrust screws without head with flattened ball and rotation lock

Order No.	style	D	D1	L	Ball-Ø	SW	Load rating max. kN (static load only)
K0383.51240	BV	M12	7	40,2	8,5	6	18
K0383.51250	BV	M12	7	50	8,5	6	18
K0383.51620	BV	M16	10,7	20	12	8	36
K0383.51625	BV	M16	10,7	25	12	8	36
K0383.51635	BV	M16	10,7	35	12	8	36
K0383.51650	BV	M16	10,7	50	12	8	36
K0383.52030	BV	M20	13,5	30	15	10	60
K0383.52040	BV	M20	13,5	40	15	10	60
K0383.52050	BV	M20	13,5	50	15	10	60
K0383.52060	BV	M20	13,5	60	15	10	60
K0383.52435	BV	M24	15,8	35	18	12	80
K0383.52450	BV	M24	15,8	50	18	12	80
K0383.52480	BV	M24	15,8	80	18	12	80
K0383.60816	FV	M8	4,1	16,3	5,5	4	9
K0383.60820	FV	M8	4,1	20,3	5,5	4	9
K0383.60825	FV	M8	4,1	25,3	5,5	4	9
K0383.60830	FV	M8	4,1	30,3	5,5	4	9
K0383.61020	FV	M10	5,6	20,3	7	5	12
K0383.61025	FV	M10	5,6	25,3	7	5	12
K0383.61035	FV	M10	5,6	35,3	7	5	12
K0383.61040	FV	M10	5,6	40,2	7	5	12
K0383.61220	FV	M12	7	20,2	8,5	6	18
K0383.61230	FV	M12	7	30,2	8,5	6	18
K0383.61240	FV	M12	7	40,2	8,5	6	18
K0383.61250	FV	M12	7	50	8,5	6	18
K0383.61620	FV	M16	10,7	20	12	8	36
K0383.61625	FV	M16	10,7	25	12	8	36
K0383.61635	FV	M16	10,7	35	12	8	36
K0383.61650	FV	M16	10,7	50	12	8	36
K0383.62030	FV	M20	13,5	30	15	10	60
K0383.62040	FV	M20	13,5	40	15	10	60
K0383.62050	FV	M20	13,5	50	15	10	60
K0383.62060	FV	M20	13,5	60	15	10	60
K0383.62435	FV	M24	15,8	35	18	12	80
K0383.62450	FV	M24	15,8	50	18	12	80
K0383.62480	FV	M24	15,8	80	18	12	80