

Star grips similar to DIN 6336, stainless steel, style B, drilled through - inch

Item description/product images



Description

Material:

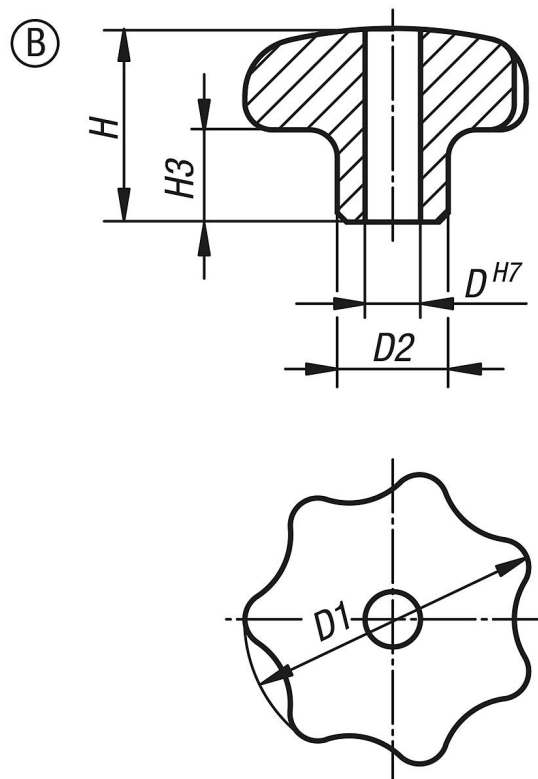
Stainless steel 1.4308 (AISI "316" equivalent).

Version:

Ground and polished



Drawings



Order No.	style	Surface finish body	D	D1	D2	H	H3
K0150.232CM2	B	polished	0,25	32	12	21	10
K0150.240CN2	B	polished	0,312	40	14	26	13
K0150.250C02	B	polished	0,375	50	18	34	17
K0150.263CP2	B	polished	0,5	63	20	42	21