

Star grips similar to DIN 6336, stainless steel, style D, thread countersunk - inch

Item description/product images



Description

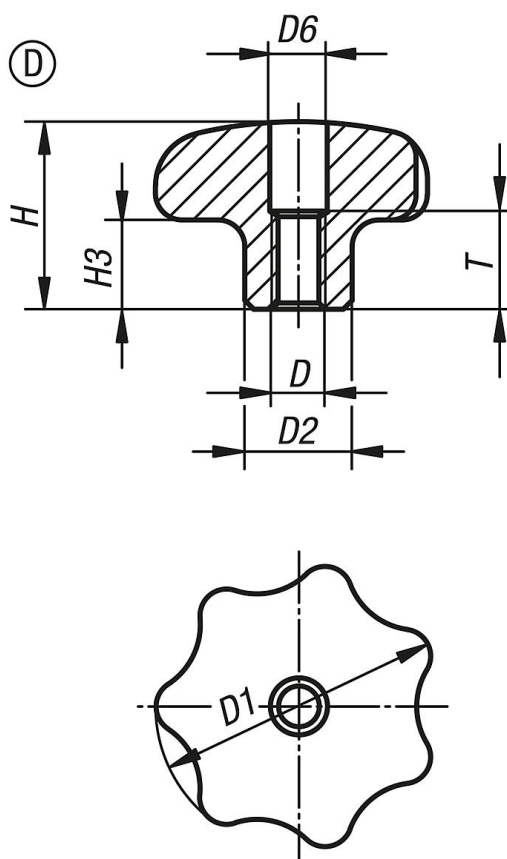
Material:

Stainless steel 1.4308 (AISI "316" equivalent).

Version:

Ground and polished or blasted.

Drawings



Order No.	style	Surface finish body	D	D1	D2	D6	H	H3	T
K0150.432A22	D	polished	1/4-20	32	12	6,4	21	10	11
K0150.440A32	D	polished	5/16-18	40	14	8,4	26	13	14
K0150.450A42	D	polished	3/8-16	50	18	10,5	34	17	18
K0150.463A52	D	polished	1/2-13	63	20	13	42	21	22
K0150.432A23	D	blasted	1/4-20	32	12	6,4	21	10	11
K0150.440A33	D	blasted	5/16-18	40	14	8,4	26	13	14
K0150.450A43	D	blasted	3/8-16	50	18	10,5	34	17	18

Star grips similar to DIN 6336, stainless steel, style D, thread countersunk - inch

