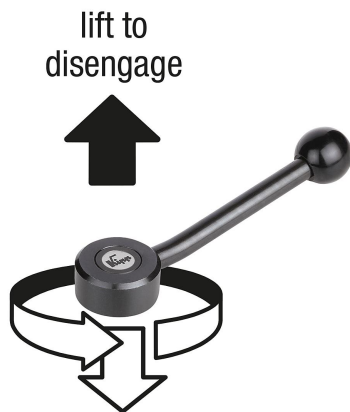


## Tension levers flat, with internal thread, 0° - inch

Item description/product images

INCH  
Parts



### Description

**Material:**

Steel parts grade 5.8.  
Ball knob black plastic.

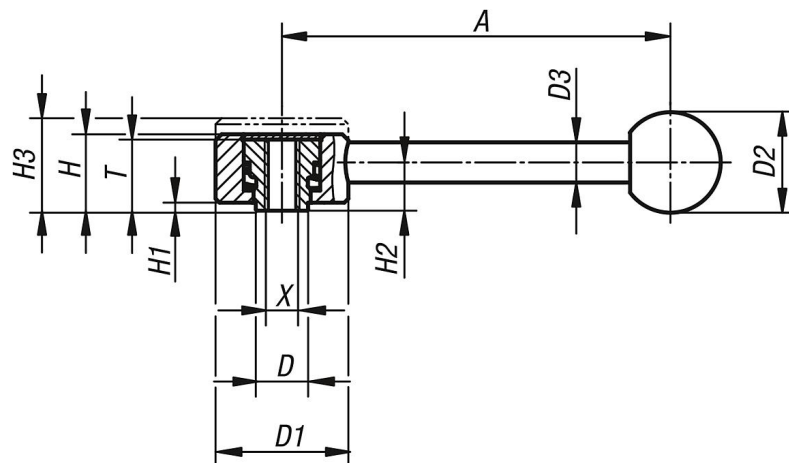
**Version:**

Black oxidized.

**On request:**

Other threads and special versions.  
Dimensions "H1" and "A" available in other lengths at extra charge.

### Drawings



Order No.	style	X	T	A	D	D1	D2	D3	H	H1	H2	H3	No. of teeth
K0114.1A21	0°	1/4-20	18	102	13,5	33	25	10	19	2	12	23	26
K0114.1A31	0°	5/16-18	18	102	13,5	33	25	10	19	2	12	23	26
K0114.2A41	0°	3/8-16	21	131	19	41	30	12	22	2	13,5	26	30
K0114.2A51	0°	1/2-13	21	131	19	41	30	12	22	2	13,5	26	30
K0114.3A51	0°	1/2-13	27	148	23	45	37	14	28	2	17	33	36
K0114.3A61	0°	5/8-11	27	148	23	45	37	14	28	2	17	33	36

