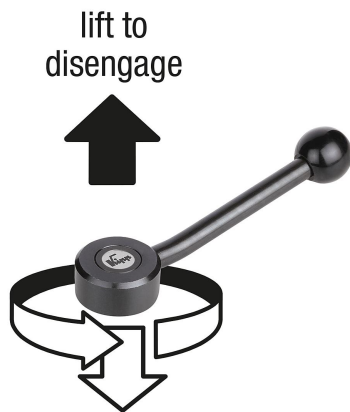


Tension levers flat, internal thread, 15° - inch

Item description/product images

INCH
Parts



Description

Material:

Steel parts grade 5.8.
Ball knob black plastic.

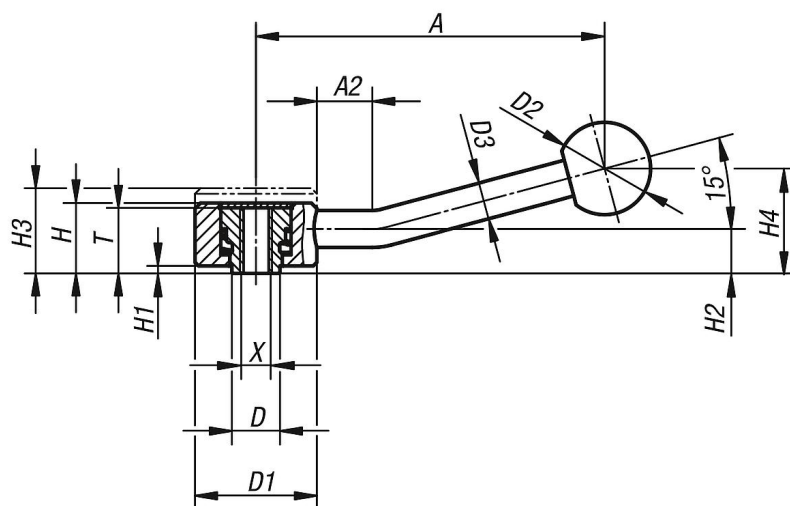
Version:

Black oxidized.

On request:

Other threads and special versions.
Dimensions "H1" and "A" available in other lengths at extra charge.

Drawings



Order No.	style	X	T	A	A2	D	D1	D2	D3	H	H1	H2	H3	H4	No. of teeth
K0114.1A22	15°	1/4-20	18	100	15	13,5	33	25	10	19	2	12	23	29	26
K0114.1A32	15°	5/16-18	18	100	15	13,5	33	25	10	19	2	12	23	29	26
K0114.2A42	15°	3/8-16	21	127	15	19	41	30	12	22	2	13,5	26	38	30

Tension levers flat, internal thread, 15° - inch

Order No.	style	X	T	A	A2	D	D1	D2	D3	H	H1	H2	H3	H4	No. of teeth
K0114.2A52	15°	1/2-13	21	127	15	19	41	30	12	22	2	13,5	26	38	30
K0114.3A52	15°	1/2-13	27	145	15	23	45	37	14	28	2	17	33	48	36
K0114.3A62	15°	5/8-11	27	145	15	23	45	37	14	28	2	17	33	48	36