

Clamp Style A

Item description/product images

METRIC
Parts



Description

Material:

Steel or stainless steel 1.4301 (AISI 304 equivalent).

Version:

Steel trivalent blue passivated.

Stainless steel bright.

Note:

Latches with draw bail for securing and locking hatches, container lids, machine cladding etc. By exceeding the dead center they resist vibration.

The fastening force is applied by drawing on the bail.

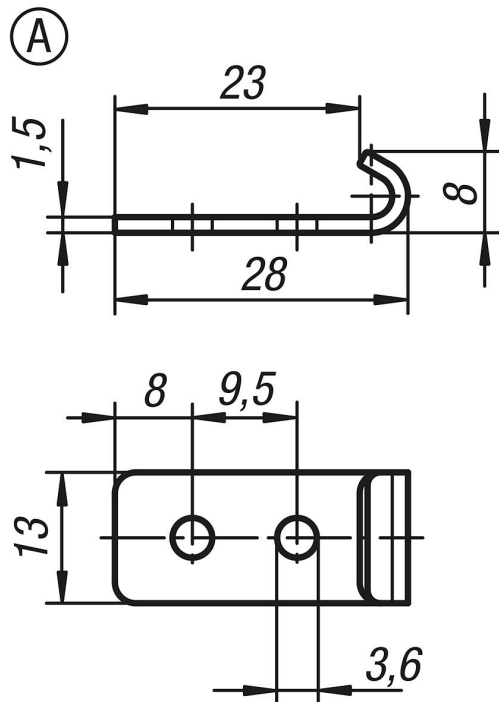
The hole D2 can be used to secure against unintentional opening or attaching an official lead seal.

The latches can be screwed down or riveted.

Order catch plates separately.

The retaining force F1 applies to the latch, not the catch plate.

Drawings



Order No. steel	Order No. stainless steel	Style
K0044.9136281	K0044.9136282	A

