

## Adjustable handles, steel with internal thread, threaded insert black oxidized steel, metric

Item description/product images

### METRIC Parts



### Description

**Material:**

Handle steel 1.0401.  
All other steel parts grade 5.8.

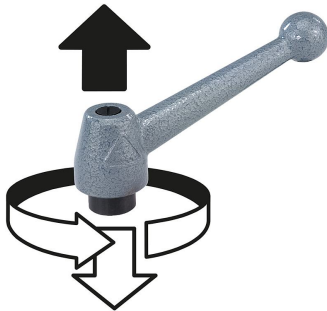
**Version:**

Handle painted silver-gray hammer-tone.  
Steel parts black oxidized.

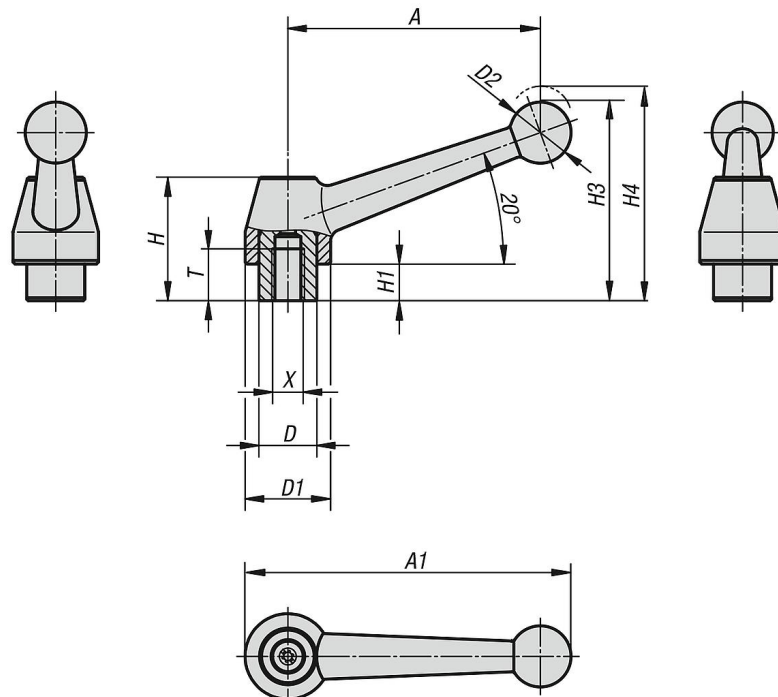
**On request:**

Other threads and special versions.  
Dimension "H1" available in other lengths at extra charge.

lift to  
disengage



### Drawings



## Adjustable handles, steel with internal thread, threaded insert black oxidized steel, metric

### Adjustable Handles, Classic Ball Style, with internal thread, metric

Item No.	Main material	X	A	A1	T	D	D1	D2	H	H1	H3	H4	No. of teeth
K0120.108	steel	M8	83	107	17	19	28	20	40,5	12	65	68,5	24
K0120.110	steel	M10	83	107	17	19	28	20	40,5	12	65	68,5	24
K0120.112	steel	M12	83	107	17	19	28	20	40,5	12	65	68,5	24
K0120.212	steel	M12	108	138,5	23	23	35	25	51,5	12	79,5	84	26
K0120.216	steel	M16	108	138,5	23	23	35	25	51,5	12	79,5	84	26
K0120.316	steel	M16	132	168	27	30	43	30	60	12	93	97,5	36
K0120.320	steel	M20	132	168	27	30	43	30	60	12	93	97,5	36