

# Adjustable Latches screw-on holes visible Style B

## Item description/product images

METRIC  
Parts



### Description

**Material:**

Steel or stainless steel 1.4301 (AISI 304 equivalent).

**Version:**

Steel trivalent blue passivated.

Stainless steel bright.

**Note:**

Adjustable latches are secure locking systems for industrial applications. By exceeding the dead center they resist vibration. These latches are very robust and have a low overall height.

After the hook is engaged with the catch plate, the parts to be locked can be drawn together by up to 6 mm by pushing the lever down. To compensate for tolerances or to create enough tension, the hook length can be adjusted using the M6 threaded spindle.

The latches can be screwed down or riveted.

Order required catch plate separately.

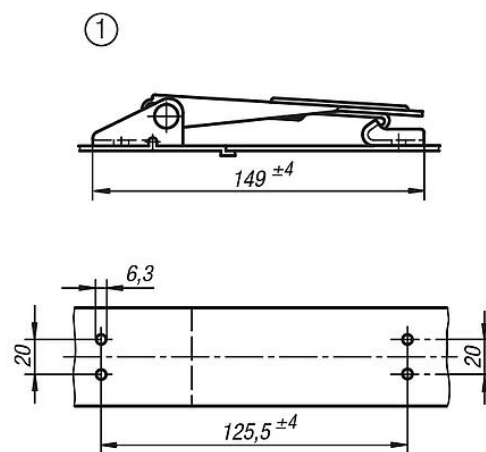
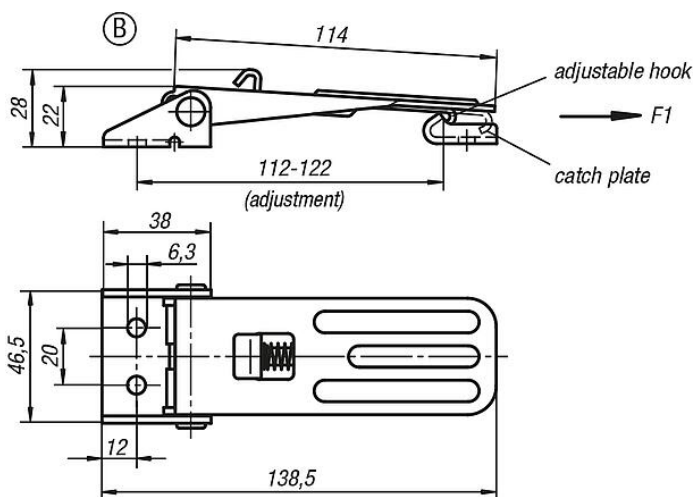
The retaining force F1 applies to the latch, not the catch plate.

**Drawing reference:**

Style B: with safety catch

1) Hole arrangements for assembly with catch plate

## Drawings



Order No. steel	Order No. stainless steel	style	Retaining force F1 N
K0048.2631391	K0048.2631392	B	4000

