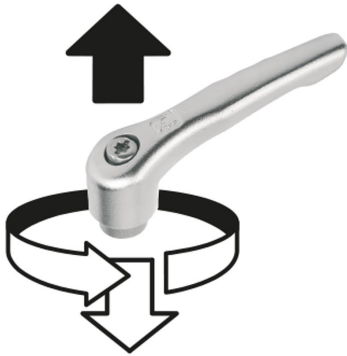


## Adjustable handles, stainless steel with internal thread, threaded insert stainless steel, metric

Item description/product images



lift to  
disengage



### Description

**Material:**

Handle investment cast 1.4308 (AISI "316" equivalent).

Other steel parts 1.4305 (AISI 303 equivalent).

**Version:**

Handle electropolished or blasted.

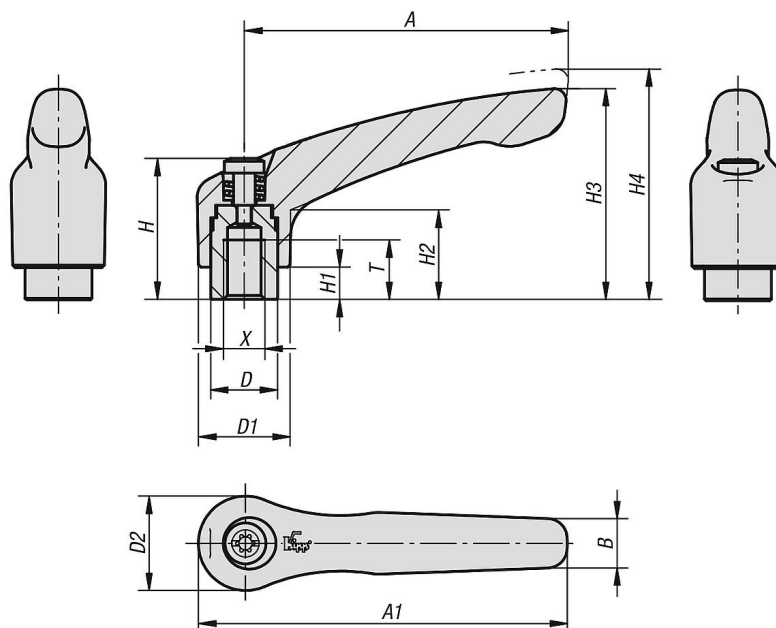
Metal parts bright.

**On request:**

Other threads and special versions.

Dimension "H1" available in other lengths at extra charge.

### Drawings



## Adjustable handles, stainless steel with internal thread, threaded insert stainless steel, metric

### Adjustable Handle, Modern Design Style, stainless steel, internal thread

Order No.	Main color	Size	X	A	A1	B	D	D1	D2	H	H1	H2	H3	H4	T	No. of teeth
K0124.104	electropolished	1	M4	40	47	7	10	13	14	24,5	4	14,5	31	34	9	16
K0124.105	electropolished	1	M5	40	47	7	10	13	14	24,5	4	14,5	31	34	9	16
K0124.106	electropolished	1	M6	40	47	7	10	13	14	24,5	4	14,5	31	34	9	16
K0124.206	electropolished	2	M6	65	74,5	10	13,5	18,5	19	28,5	6,5	17,5	42,5	45,5	12	20
K0124.208	electropolished	2	M8	65	74,5	10	13,5	18,5	19	28,5	6,5	17,5	42,5	45,5	12	20
K0124.308	electropolished	3	M8	80	91	11	16	21	22	37	10	24	54,5	58,5	14	22
K0124.310	electropolished	3	M10	80	91	11	16	21	22	37	10	24	54,5	58,5	14	22
K0124.410	electropolished	4	M10	95	109	13	19	27	27,5	43	10	27	63	67,5	17	24
K0124.412	electropolished	4	M12	95	109	13	19	27	27,5	43	10	27	63	67,5	17	24
K0124.512	electropolished	5	M12	110	126	15	23	31	32	49	12	31,5	73	77,5	23	26
K0124.516	electropolished	5	M16	110	126	15	23	31	32	49	12	31,5	73	77,5	23	26
K0124.104153	blasted	1	M4	40	47	7	10	13	14	24,5	4	14,5	31	34	9	16
K0124.105153	blasted	1	M5	40	47	7	10	13	14	24,5	4	14,5	31	34	9	16
K0124.106153	blasted	1	M6	40	47	7	10	13	14	24,5	4	14,5	31	34	9	16
K0124.206153	blasted	2	M6	65	74,5	10	13,5	18,5	19	28,5	6,5	17,5	42,5	45,5	12	20
K0124.208153	blasted	2	M8	65	74,5	10	13,5	18,5	19	28,5	6,5	17,5	42,5	45,5	12	20
K0124.308153	blasted	3	M8	80	91	11	16	21	22	37	10	24	54,5	58,5	14	22
K0124.310153	blasted	3	M10	80	91	11	16	21	22	37	10	24	54,5	58,5	14	22
K0124.410153	blasted	4	M10	95	109	13	19	27	27,5	43	10	27	63	67,5	17	24
K0124.412153	blasted	4	M12	95	109	13	19	27	27,5	43	10	27	63	67,5	17	24
K0124.512153	blasted	5	M12	110	126	15	23	31	32	49	12	31,5	73	77,5	23	26
K0124.516153	blasted	5	M16	110	126	15	23	31	32	49	12	31,5	73	77,5	23	26