

## Actima Clamping Device with through hole

### Item description/product images

METRIC  
Parts



### Description

**Material, version:**

Steel black oxidized.

Housing black thermoplastic.

Ball knob red thermoset PF 31.

**Note:**

The travel path is 10 mm. Self-locking occurs in any position within only 2 mm of clamp travel, so workpieces with tolerances of up to 1.5 mm can be safely clamped.

The Actima clamping device can be mounted in any horizontal or vertical position.

Standard parts enable further applications and are available as optional accessories.

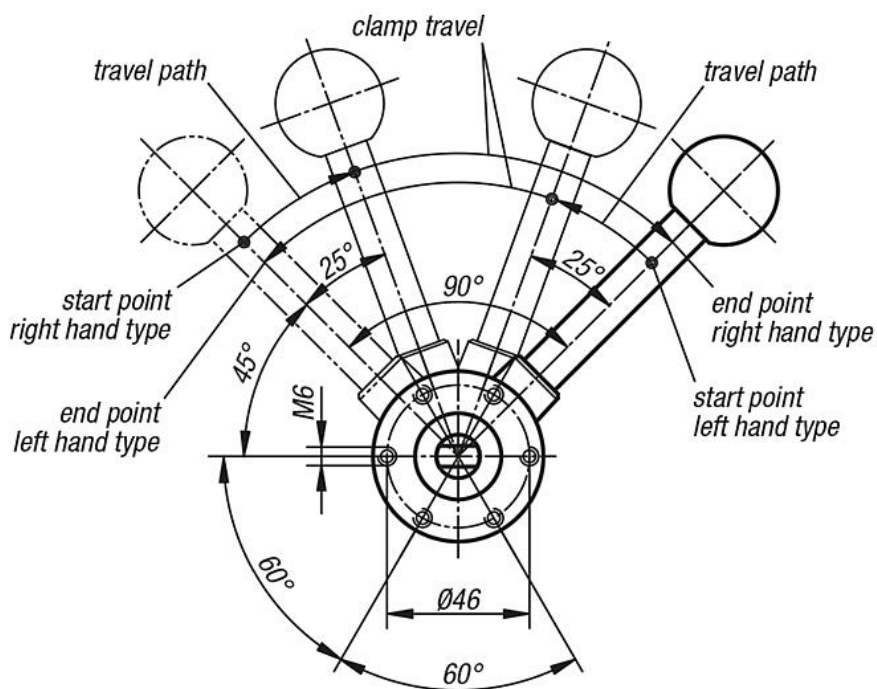
All parts of the cam system subject to heavy loads are case-hardened (thrust body and accessories only if specified).

The maximum permissible clamping force is approximately 4905 N.

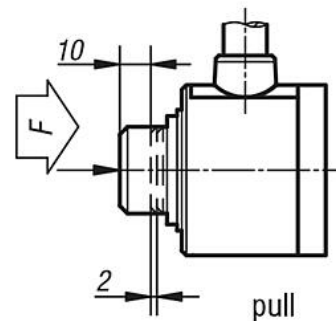
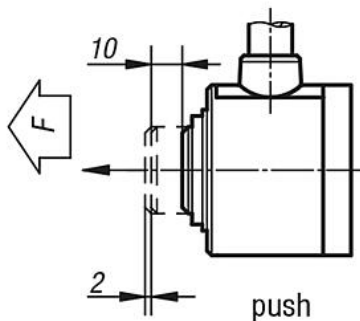
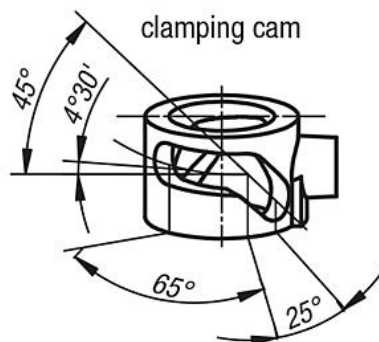
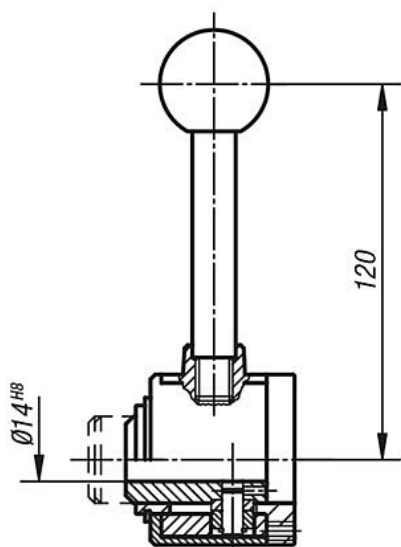
# Actima Clamping Device with through hole

## Drawings

View from below



drilled through



Item No.	Version 2
K0020.30	right-hand / thrust
K0020.35	right-hand / pull
K0020.40	left-hand / thrust

**Actima Clamping Device with through hole**

---

Item No.	Version 2
K0020.45	left-hand / pull

---