

Star grips, style K, with projecting steel tapped bushing, metric

Item description/product images

METRIC
Parts



Description

Material:

Black thermoplastic.

Steel grade 5.8 or stainless steel 1.4305 (AISI 303 equivalent).

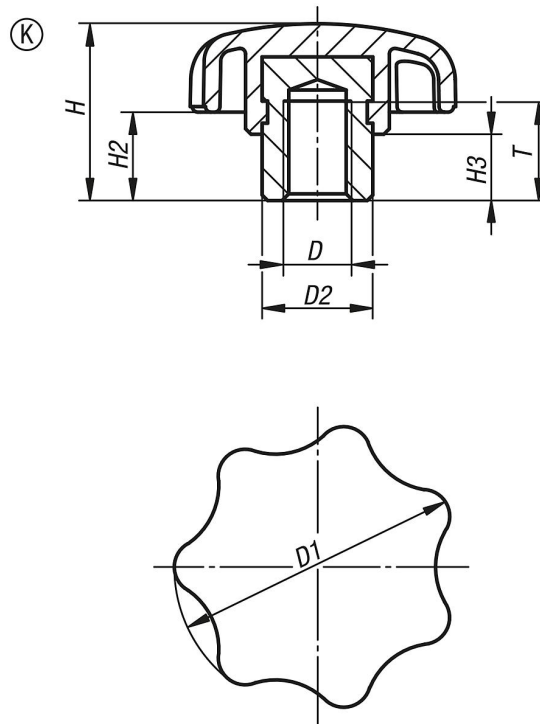
Version:

Metal parts trivalent blue passivated steel or bright stainless steel.

Note:

Star grips with projecting steel bushing and blind hole or internal thread are especially suited for cross pinning.

Drawings



Item No.	style	Component material	D	D1	D2	H	H2	H3	T
K0153.205	K	steel	M5	25	10	17	9	7	9
K0153.206	K	steel	M6	32	13,5	21	11	9,5	12
K0153.2061	K	steel	M6	40	13,5	25	13	10	12
K0153.208	K	steel	M8	40	13,5	25	13	10	12
K0153.2081	K	steel	M8	50	19	32	17	12	17
K0153.210	K	steel	M10	50	19	32	17	12	17

Star grips, style K, with projecting steel tapped bushing, metric

Item No.	style	Component material	D	D1	D2	H	H2	H3	T
K0153.2101	K	steel	M10	63	19	37	18	12	17
K0153.212	K	steel	M12	63	19	37	18	12	17
K0153.216	K	steel	M16	63	23	40	21	15	23
K0153.305	K	stainless steel	M5	25	10	17	9	7	9
K0153.306	K	stainless steel	M6	32	13,5	21	11	9,5	12
K0153.3061	K	stainless steel	M6	40	13,5	25	13	10	12
K0153.308	K	stainless steel	M8	40	13,5	25	13	10	12
K0153.3081	K	stainless steel	M8	50	19	32	17	12	17
K0153.310	K	stainless steel	M10	50	19	32	17	12	17
K0153.3101	K	stainless steel	M10	63	19	37	18	12	17
K0153.312	K	stainless steel	M12	63	19	37	18	12	17
K0153.316	K	stainless steel	M16	63	23	40	21	15	23