

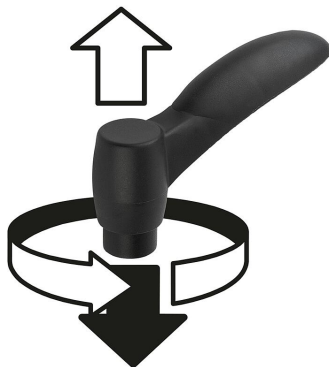
Adjustable handles ECO with external thread, threaded insert blue passivated steel, metric

Item description/product images

METRIC
Parts



Press to
disengage



Description

Material:

Handle and insert reinforced plastic.
Screw steel 5.8.

Version:

Steel trivalent blue passivated.

Order information:

Threaded studs with dimension L=70 mm or greater are partially threaded, 60 mm.

Note:

Standard color is black gray RAL 7021.

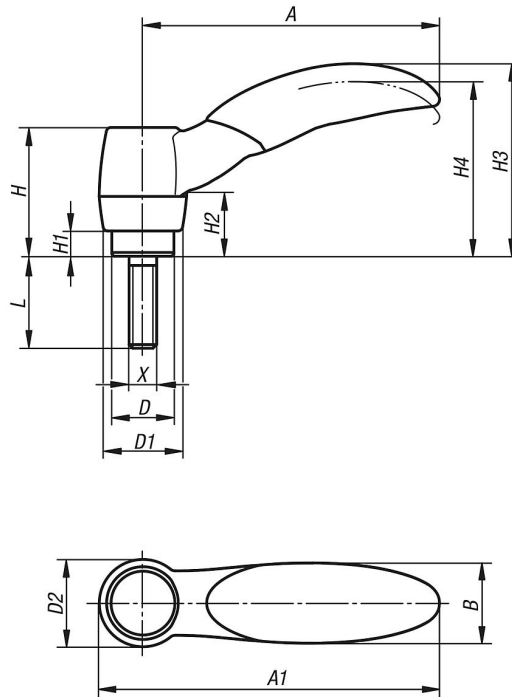
Where $L \geq 60$ mm the thread length is always 60 mm.

On request:

Other external threads, colors and special versions.

Adjustable handles ECO with external thread, threaded insert blue passivated steel, metric

Drawings



Order No.	Size	X	D	D1	D2	H	H1	H2	H3	H4	A	A1	B	No. of teeth	L
K0252.1041X	1	M4	10	12,6	14,1	21,7	5	11,3	32	29,1	47,9	55	13	12	10/15/20
K0252.1051X	1	M5	10	12,6	14,1	21,7	5	11,3	32	29,1	47,9	55	13	12	10/15/20/25
K0252.2051X	2	M5	13,5	17	19	28	5,5	14	41,9	38	64,5	74	17,5	12	10/15/20/25/30/40
K0252.2061X	2	M6	13,5	17	19	28	5,5	14	41,9	38	64,5	74	17,5	12	10/15/20/25/30/40
K0252.2081X	2	M8	13,5	17	19	28	5,5	14	41,9	38	64,5	74	17,5	12	10/15/20/25/30/40
K0252.3081X	3	M8	17	20,4	23,9	40,7	10	23,1	58,1	53,3	81,1	93	22	12	20/25/30/40/50/60
K0252.3101X	3	M10	17	20,4	23,9	40,7	10	23,1	58,1	53,3	81,1	93	22	12	20/25/30/40/50/60