

Spring Plungers with thread lock, pin style, hexagon socket, stainless steel body and pin, standard end pressure, metric

Item description/product images



Description

Material:

body 1.4305 (AISI 303 equivalent).
Thrust pin 1.4034 (AISI 420 equivalent).
Spring 1.4310 (AISI 301 equivalent).

LONG-LOK thread lock Nylon.

Version:

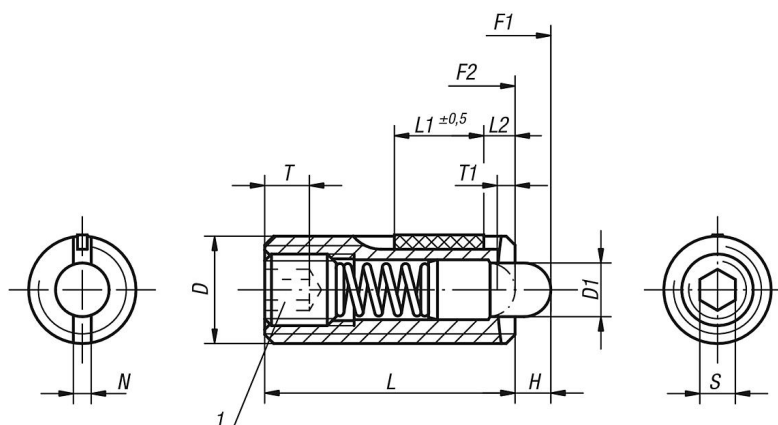
Bright.
Thrust pin hardened.

Drawing reference:

L2 = ca. two full threads

1) grub screw glued-in

Drawings



Item No.	D	D1	H	L	L1	T1	N	S	Spring force initial pressure F1 approx. N	Spring force final pressure F2 approx. N	Tightening torque approx. Nm	Loosening torque approx. Nm	Item No. Installation tool
K0329.05	M5	2,4	2,3	18	7	0,8	0,8	1,5	5	17	0,12	0,08	K0317.905
K0329.06	M6	2,7	2,5	20	7	1	1	2	6	17	0,45	0,22	K0317.906
K0329.08	M8	3,5	3	22	8	1,4	1,2	2,5	7	29	1,05	0,37	K0317.908
K0329.10	M10	4	3	22	9	1,4	1,6	3	8	31	1,3	0,6	K0317.910
K0329.12	M12	6	4	28	10	2	2	4	10	47	2	1,3	K0317.912
K0329.16	M16	7,5	5	32	14	2,5	2,5	5	38	85	3,9	3	K0317.916