

Star grips similar to DIN 6336, aluminum, style B, drilled through

Item description/product images

METRIC
Parts

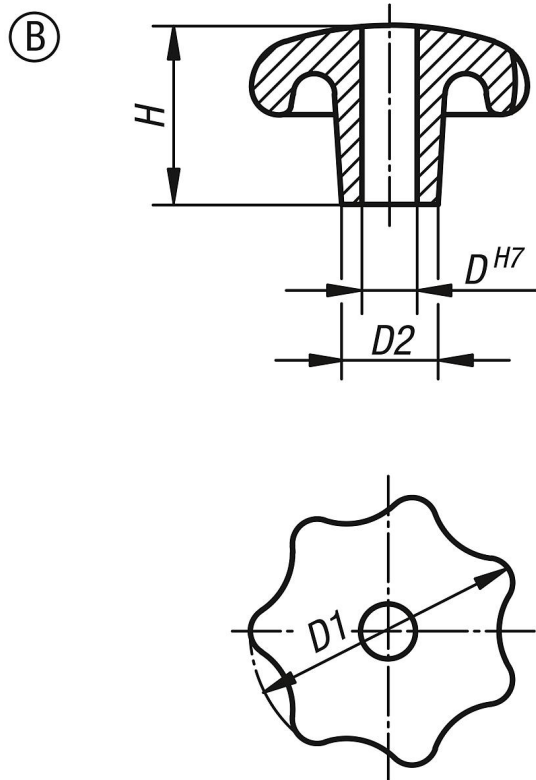


Description

Material:
aluminum.

Version:
Tumbled or ground and polished.

Drawings



Order No.	style	Surface finish body	D	D1	D2	H
K0149.240082	B	polished	8	40	14	25
K0149.250102	B	polished	10	50	18	32
K0149.263122	B	polished	12	63	20	40
K0149.280162	B	polished	16	80	25	50
K0149.24008	B	tumbled	8	40	14	25
K0149.25010	B	tumbled	10	50	18	32
K0149.26312	B	tumbled	12	63	20	40
K0149.28016	B	tumbled	16	80	25	50

