

Adjustable handles 2K with internal thread, threaded insert black oxidized steel, metric

Item description/product images

METRIC
Parts



lift to
disengage



Description

Version:

Steel parts black oxidized.

Note:

The hard and soft components are supplied in black gray RAL 7021 as standard.

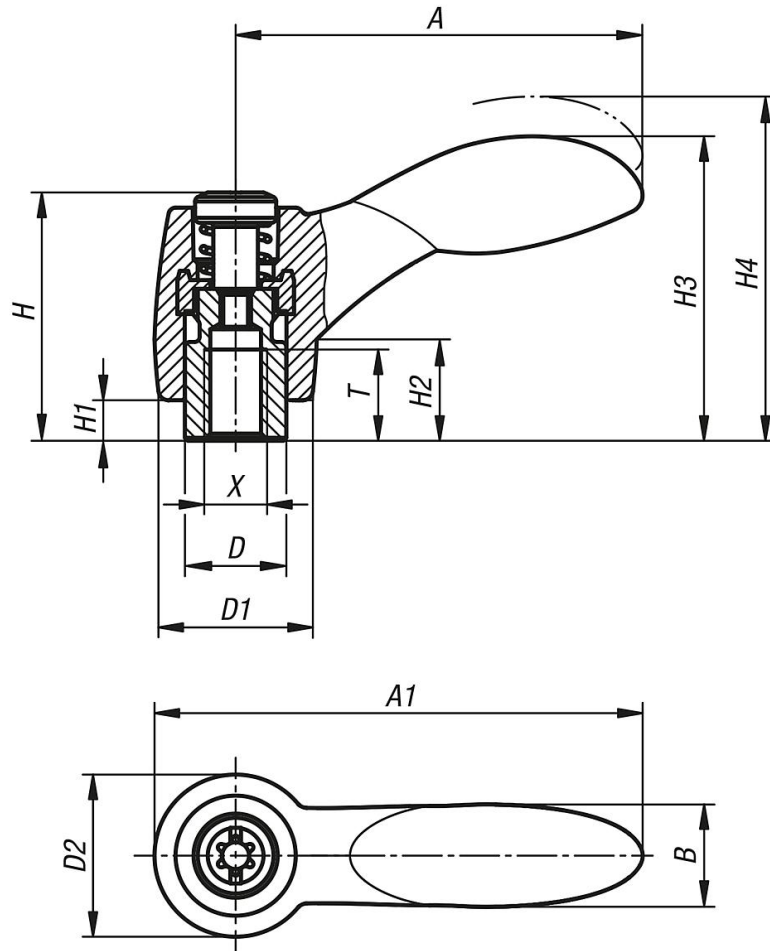
On request:

Other internal threads, color combinations and special versions.

Dimension "H1" available in other lengths on request at extra charge.

Adjustable handles 2K with internal thread, threaded insert black oxidized steel, metric

Drawings



Order No.	Size	X	T	D	D1	D2	H	H1	H2	H3	H4	A	A1	B	No. of teeth
K0125.10401	1	M4	9	10	15	16	24,5	4	10	30	33,5	40,1	48,1	10,1	16
K0125.10501	1	M5	9	10	15	16	24,5	4	10	30	33,5	40,1	48,1	10,1	16
K0125.10601	1	M6	9	10	15	16	24,5	4	10	30	33,5	40,1	48,1	10,1	16
K0125.20601	2	M6	12	13,5	17,5	19	28,5	6,5	12,5	41,2	45,2	64,9	74,4	17,6	20
K0125.20801	2	M8	12	13,5	17,5	19	28,5	6,5	12,5	41,2	45,2	64,9	74,4	17,6	20
K0125.30801	3	M8	14	16	21	22	37	10	17	51,6	56,1	80,2	91,2	20,7	22
K0125.31001	3	M10	14	16	21	22	37	10	17	51,6	56,1	80,2	91,2	20,7	22