

Rubber buffers steel or stainless steel, type C cylindrical with internal thread both sides

Item description/product images



Description

Material:

Metal parts steel grade 5.6 or stainless steel.
Elastomer natural rubber, medium hardness, Shore 55A.

Version:

Steel electro zinc-plated.
Stainless steel bright.

Note:

The rubber buffers are widely-used construction elements for elastic mounting. They are used, among other things, as mountings for aggregates, motors, compressors, pumps and testing machinery.

Due to the material composition, rubber buffers are contact-colouring, which can lead to abrasion marks and discolouration on e.g. floors or contact surfaces.

Rubber buffers made of light grey EPDM that are not contact-colouring are available on request.

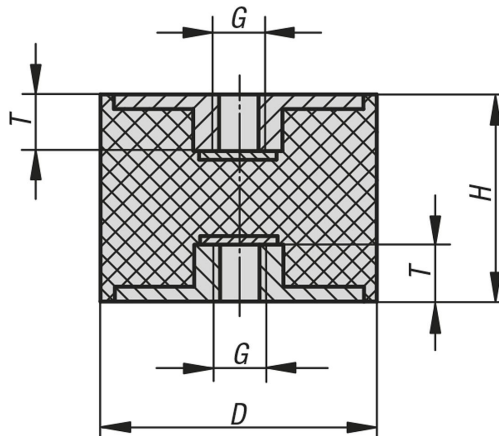
Temperature range:

-30 °C to +80 °C

On request:

Other Shore grades.

Drawings



Overview of items

Rubber buffers, steel or stainless steel, type C

| Order No. | Main material | D | H | G | T | Spring stiffness N/mm | Load N |
|----------------|---------------|----|----|----|---|--------------------------|-----------|
| K0569.01001055 | steel | 10 | 10 | M4 | 4 | 100 | 50 |
| K0569.01001555 | steel | 10 | 15 | M4 | 4 | 50 | 50 |
| K0569.01501555 | steel | 15 | 15 | M4 | 4 | 100 | 100 |
| K0569.02002055 | steel | 20 | 20 | M6 | 6 | 230 | 276 |

Rubber buffers steel or stainless steel, type C cylindrical with internal thread both sides

Overview of items

| Order No. | Main material | D | H | G | T | Spring stiffness N/mm | Load N |
|-----------------|-----------------|----|----|-----|----|--------------------------|-----------|
| K0569.02002555 | steel | 20 | 25 | M6 | 6 | 120 | 180 |
| K0569.02502055 | steel | 25 | 20 | M6 | 6 | 230 | 276 |
| K0569.02502555 | steel | 25 | 25 | M6 | 6 | 110 | 165 |
| K0569.02503055 | steel | 25 | 30 | M6 | 6 | 80 | 160 |
| K0569.03002055 | steel | 30 | 20 | M8 | 8 | 425 | 637 |
| K0569.03003055 | steel | 30 | 30 | M8 | 8 | 175 | 350 |
| K0569.03004055 | steel | 30 | 40 | M8 | 8 | 133 | 400 |
| K0569.04003055 | steel | 40 | 30 | M8 | 8 | 530 | 1060 |
| K0569.04004055 | steel | 40 | 40 | M8 | 8 | 222 | 666 |
| K0569.05003055 | steel | 50 | 30 | M10 | 10 | 680 | 1360 |
| K0569.05004055 | steel | 50 | 40 | M10 | 10 | 333 | 1000 |
| K0569.05005055 | steel | 50 | 50 | M10 | 10 | 190 | 665 |
| K0569.07504055 | steel | 75 | 40 | M12 | 12 | 750 | 2250 |
| K0569.07505055 | steel | 75 | 50 | M12 | 12 | 636 | 2225 |
| K0569.010010551 | stainless steel | 10 | 10 | M4 | 4 | 100 | 50 |
| K0569.015015551 | stainless steel | 15 | 15 | M4 | 4 | 100 | 100 |
| K0569.020020551 | stainless steel | 20 | 20 | M6 | 6 | 230 | 276 |
| K0569.025025551 | stainless steel | 25 | 25 | M6 | 6 | 110 | 165 |
| K0569.030020551 | stainless steel | 30 | 20 | M8 | 8 | 425 | 637 |
| K0569.030030551 | stainless steel | 30 | 30 | M8 | 8 | 175 | 350 |
| K0569.040030551 | stainless steel | 40 | 30 | M8 | 8 | 530 | 1060 |