

## Rubber buffers steel or stainless steel type D cylindrical with external thread

Item description/product images



### Description

#### Material:

Metal parts steel grade 5.6 or stainless steel.  
Elastomer natural rubber, medium hardness, Shore 55A.

#### Version:

Steel electro zinc-plated.  
Stainless steel bright.

#### Note:

Rubber buffers are used, among other things for mounting aggregates and as elastic buffers to limit the travel of moving masses.

Due to the material composition, rubber buffers are contact-colouring, which can lead to abrasion marks and discolouration on e.g. floors or contact surfaces.

Rubber buffers made of light grey EPDM that are not contact-colouring are available on request.

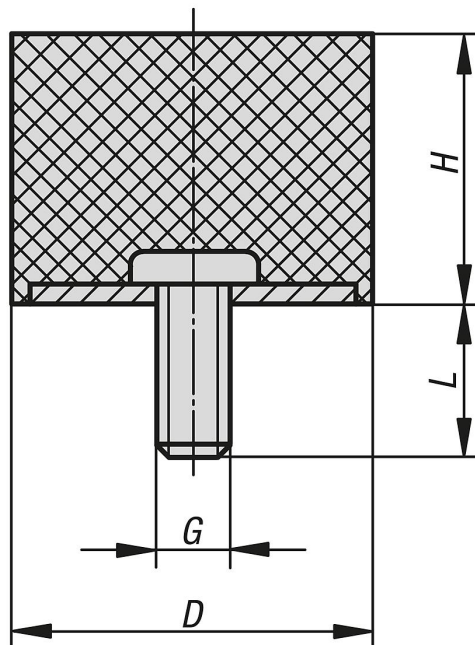
#### Temperature range:

-30 °C to +80 °C

#### On request:

Other Shore grades.

### Drawings



### Overview of items

#### Rubber buffers, steel or stainless steel, type D

# Rubber buffers steel or stainless steel type D cylindrical with external thread

## Overview of items

Order No.	Main material	D	H	G	L	Spring stiffness N/mm	Load N
K0571.00800855	steel	8	8	M3	6	40	40
K0571.01001055	steel	10	10	M4	10	35	35
K0571.01001555	steel	10	15	M4	10	26	40
K0571.01500655	steel	15	6	M4	10	175	88
K0571.01500855	steel	15	8	M4	10	187	187
K0571.01501055	steel	15	10	M4	10	100	100
K0571.01501555	steel	15	15	M4	10	50	100
K0571.02000555	steel	20	5	M6	18	135	95
K0571.02000855	steel	20	8	M6	18	250	250
K0571.02001055	steel	20	10	M6	18	240	240
K0571.02001555	steel	20	15	M6	18	110	220
K0571.02002055	steel	20	20	M6	18	75	225
K0571.02002555	steel	20	25	M6	18	65	227,5
K0571.02500855	steel	25	8	M6	18	850	850
K0571.02501055	steel	25	10	M6	18	400	400
K0571.02501555	steel	25	15	M6	18	210	420
K0571.02502055	steel	25	20	M6	18	140	420
K0571.02502555	steel	25	25	M6	18	100	350
K0571.02503055	steel	25	30	M6	18	79	316
K0571.03001555	steel	30	15	M8	23	270	540
K0571.03002055	steel	30	20	M8	23	238	714
K0571.03002555	steel	30	25	M8	23	153	535,5
K0571.03003055	steel	30	30	M8	23	127	508
K0571.03004055	steel	30	40	M8	23	88	528
K0571.04001555	steel	40	15	M8	23	710	1420
K0571.04002055	steel	40	20	M8	23	365	1095
K0571.04003055	steel	40	30	M8	23	205	820
K0571.04004055	steel	40	40	M8	23	143	858
K0571.05002055	steel	50	20	M10	28	646	1938
K0571.05003055	steel	50	30	M10	28	354	1416
K0571.05004055	steel	50	40	M10	28	230	1380
K0571.05005055	steel	50	50	M10	28	160	1280
K0571.06004055	steel	60	40	M10	28	317	1902
K0571.07002555	steel	70	25	M10	28	980	3430
K0571.07004555	steel	70	45	M10	28	438	3066
K0571.07502555	steel	75	25	M12	37	1318	4613
K0571.07504055	steel	75	40	M12	37	643	3858
K0571.07505055	steel	75	50	M12	37	472	3776
K0571.07505555	steel	75	55	M12	37	310	3100
K0571.008008551	stainless steel	8	8	M3	8	40	40
K0571.010010551	stainless steel	10	10	M4	10	35	35
K0571.015015551	stainless steel	15	15	M4	10	50	100
K0571.020015551	stainless steel	20	15	M6	18	110	220
K0571.025020551	stainless steel	25	20	M6	18	140	420
K0571.030030551	stainless steel	30	30	M8	23	127	508
K0571.040030551	stainless steel	40	30	M8	23	205	820