

## Adjustable handles, plastic, antistatic with external thread, threaded insert black oxidized steel

Item description/product images



lift to  
disengage



### Description

#### Material:

Handles reinforced plastic, toothed ring die-cast zinc.  
Steel parts grade 5.8.

#### Version:

Steel parts black oxidized, handles graphite black.

#### Application:

Sensitive electrical or electronic equipment, components and devices (ESD sensitive elements) may be damaged or destroyed by electrostatic discharges (ESD) in the immediate vicinity.

Electrostatic discharges can come from people or through handling ESD sensitive components (e.g. during production, assembly, transport, storage etc).

Electrically conductive products which constyle to DIN EN 61340-5-1 are essential within electronic environments to prevent an electrostatic discharge.

These products can be used for ESD applications or in ESD protection areas (EPA) in accordance with DIN EN 61340-5-1.

#### Safety:

These ESD products can also be used for devices, components and protection systems in areas with high risk of explosion.

Use of these ESD products prevents the occurrence of electrostatic spark discharges, eliminating the potential ignition of gases and dusts which could lead to explosions in enclosed spaces.

Manufacturers and operators must use and constyle to ATEX directives for the protection of persons working in areas with high risk of explosion.

These ESD products are certified by TÜV-Süd in relation to their electrical discharge capability.

#### Target groups:

Device manufacturers required to constyle to ATEX product directive 2014/34/EU.

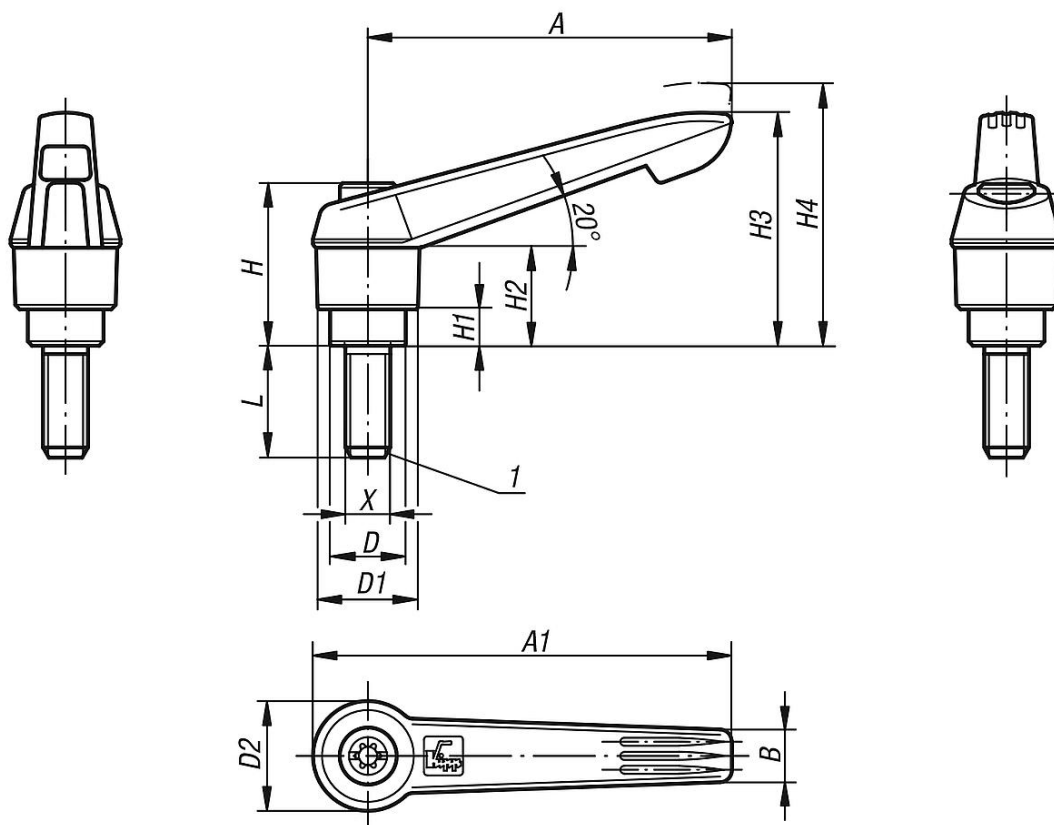
Operators required to constyle to ATEX worker protection directive 1999/92/EC.

#### Drawing reference:

1) flat point DIN EN ISO 4753

**Adjustable handles, plastic, antistatic with external thread, threaded insert black oxidized steel**

Drawings



**Adjustable handles antistatic, external thread, plastic grip**

Order No.	X	D	D1	D2	H	H1	H2	H3	H4	A	A1	B	No. of teeth	L
K0269.1120624X20	M6	13,5	18	19,5	28,5	6,5	17,5	41,5	45,5	65	75	9,5	20	20
K0269.1120824X20	M8	13,5	18	19,5	28,5	6,5	17,5	41,5	45,5	65	75	9,5	20	20
K0269.1121024X20	M10	13,5	18	19,5	28,5	6,5	17,5	41,5	45,5	65	75	9,5	20	20