

## Adjustable handles, plastic, ergonomic, with external thread, threaded pin blue passivated steel

Item description/product images



lift to  
disengage



### Description

#### Material:

Handle: Hard components reinforced plastic, toothed ring die-cast zinc.

Soft components thermoplastic elastomer.

Steel parts: grade 5.8.

#### Note:

The color combinations

graphite black RAL 9011 (hard components) and

black gray RAL 7021 (soft components) are supplied as standard.

The soft components ensure a non-slip grip of the operating part. The closed design offers sufficient protection against dirt. The design was especially developed for ergonomic gripping requirements.

The push button improves disengagement and allows the handle to be easily used.

Where  $L \geq 60$  mm the thread length is 60 mm.

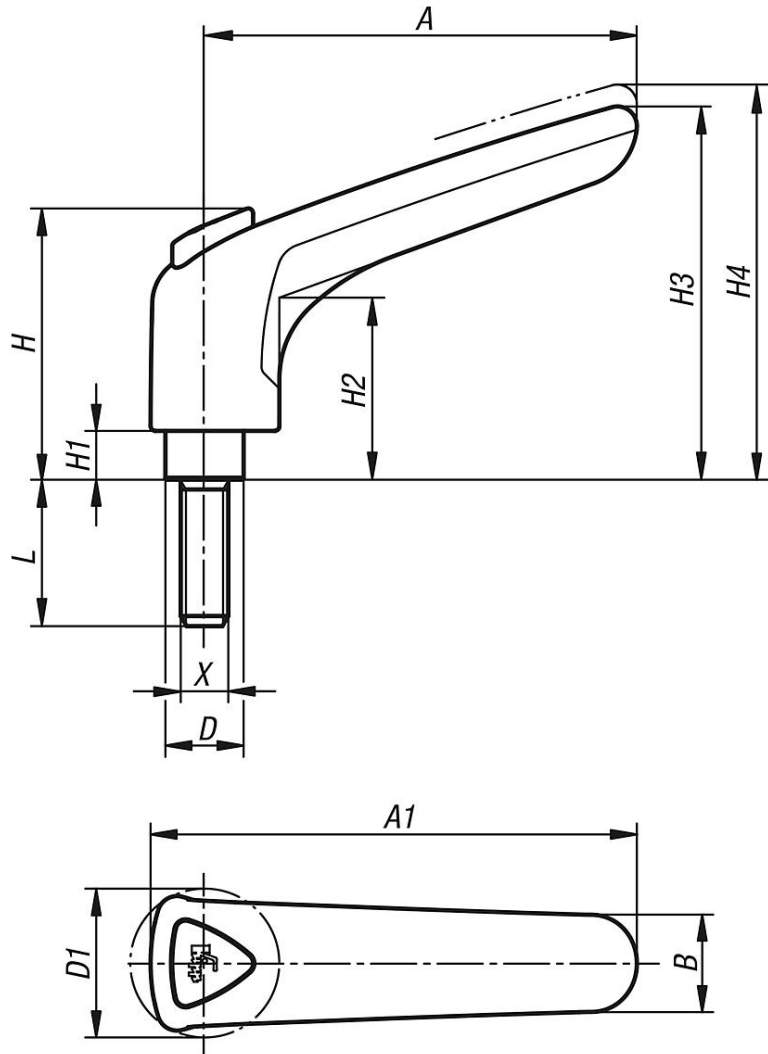
#### On request:

Other external threads, screw lengths, color combinations and special versions.

Dimension "H1" available in other lengths on request at extra charge.

**Adjustable handles, plastic, ergonomic, with external thread, threaded pin blue passivated steel**

Drawings



Order No.	Size	X	D	D1	H	H1	H2	H3	H4	A	A1	B	No. of teeth	L
K0981.3081X15	3	M8	16	30,5	55,6	10	37,3	76,5	81	88,5	99,5	20	22	15
K0981.3081X20	3	M8	16	30,5	55,6	10	37,3	76,5	81	88,5	99,5	20	22	20
K0981.3081X25	3	M8	16	30,5	55,6	10	37,3	76,5	81	88,5	99,5	20	22	25
K0981.3081X30	3	M8	16	30,5	55,6	10	37,3	76,5	81	88,5	99,5	20	22	30
K0981.3081X35	3	M8	16	30,5	55,6	10	37,3	76,5	81	88,5	99,5	20	22	35
K0981.3081X40	3	M8	16	30,5	55,6	10	37,3	76,5	81	88,5	99,5	20	22	40
K0981.3081X45	3	M8	16	30,5	55,6	10	37,3	76,5	81	88,5	99,5	20	22	45
K0981.3081X50	3	M8	16	30,5	55,6	10	37,3	76,5	81	88,5	99,5	20	22	50
K0981.3081X55	3	M8	16	30,5	55,6	10	37,3	76,5	81	88,5	99,5	20	22	55
K0981.3081X60	3	M8	16	30,5	55,6	10	37,3	76,5	81	88,5	99,5	20	22	60
K0981.3101X15	3	M10	16	30,5	55,6	10	37,3	76,5	81	88,5	99,5	20	22	15
K0981.3101X20	3	M10	16	30,5	55,6	10	37,3	76,5	81	88,5	99,5	20	22	20
K0981.3101X25	3	M10	16	30,5	55,6	10	37,3	76,5	81	88,5	99,5	20	22	25
K0981.3101X30	3	M10	16	30,5	55,6	10	37,3	76,5	81	88,5	99,5	20	22	30
K0981.3101X35	3	M10	16	30,5	55,6	10	37,3	76,5	81	88,5	99,5	20	22	35
K0981.3101X40	3	M10	16	30,5	55,6	10	37,3	76,5	81	88,5	99,5	20	22	40
K0981.3101X45	3	M10	16	30,5	55,6	10	37,3	76,5	81	88,5	99,5	20	22	45
K0981.3101X50	3	M10	16	30,5	55,6	10	37,3	76,5	81	88,5	99,5	20	22	50
K0981.3101X55	3	M10	16	30,5	55,6	10	37,3	76,5	81	88,5	99,5	20	22	55

**Adjustable handles, plastic, ergonomic, with external thread, threaded pin blue passivated steel**

Order No.	Size	X	D	D1	H	H1	H2	H3	H4	A	A1	B	No. of teeth	L
<b>K0981.3101X60</b>	3	M10	16	30,5	55,6	10	37,3	76,5	81	88,5	99,5	20	22	60