

Tension levers flat with star socket

Item description/product images



Description

Material:

Steel parts grade 5.8.

Ball knob black thermoset PF 31

Version:

Black oxidised.

Note:

Flat tension levers can be used for simple clamping or control operations. Where applicable, there must be enough space available so that the grip can be rotated 360°.

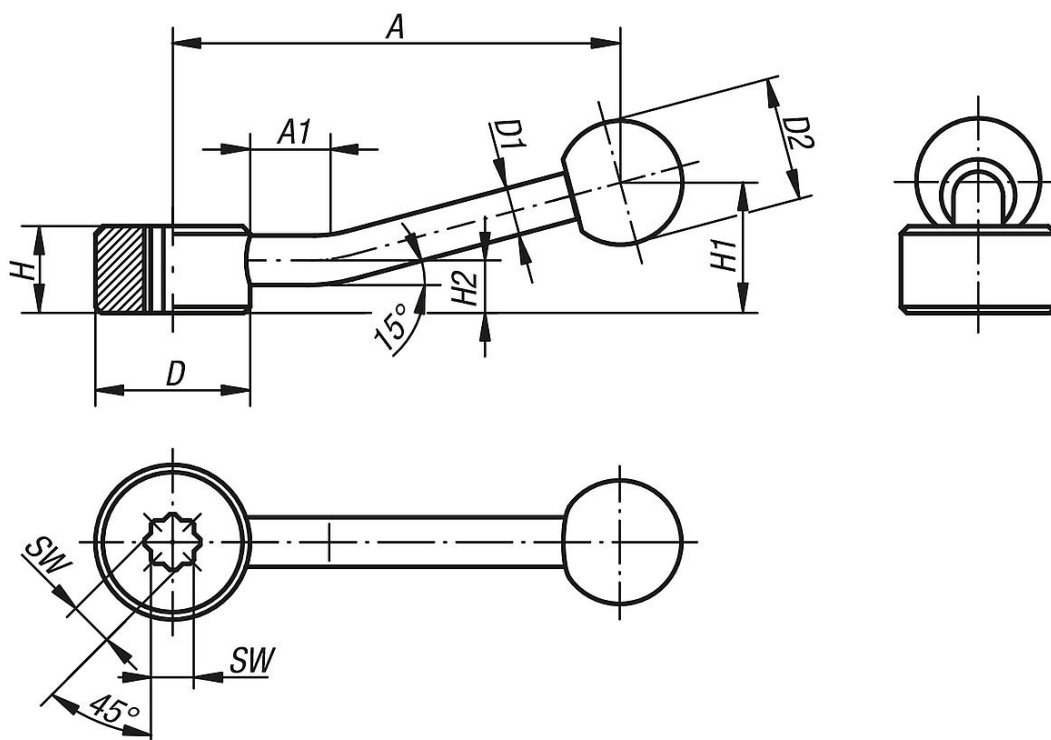
The version with star socket is designed to allow a 45° change of position.

On request:

Other female threads, reamed holes and star sockets.

Dimension "A" available in other lengths at extra charge.

Drawings



Overview of items

Order No.	Kind of fastening	SW	A=Handle length	A1	D	D1	D2	H	H1	H2
K0177.305	star socket	5,5	75	15	25	8	20	14	22	8,5
K0177.307	star socket	7	75	15	25	8	20	14	22	8,5
K0177.309	star socket	9	100	15	33	10	25	17	27	10
K0177.311	star socket	11	100	15	33	10	25	17	27	10
K0177.314	star socket	14	128	15	41	12	30	20	36	11,5
K0177.319	star socket	19	128	15	41	12	30	20	36	11,5

