

Adjustable handles, plastic, non-adjustable with reamed hole, insert blue passivated steel

Item description/product images



Description

Material:

Handle fiberglass reinforced plastic.
Steel parts grade 5.8.

Version:

Handle black gray, steel parts blue passivated.

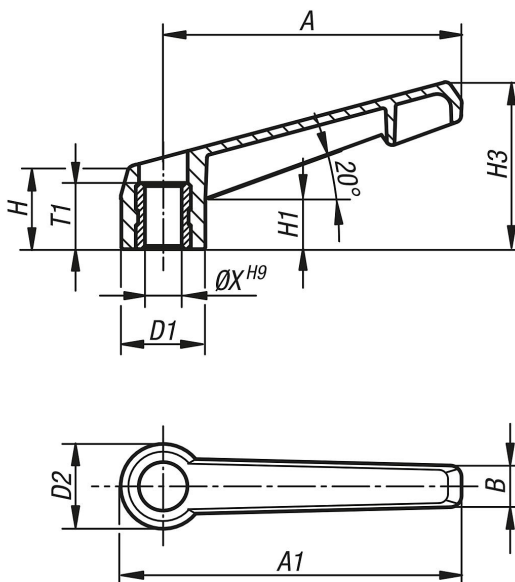
Note:

Non-adjustable adjustable handles can be used for simple applications. Generally, there must be enough space so that the lever can be rotated through 360°.

On request:

Special versions.

Drawings



Item No.	Thread type	Size	X	T1	D1	D2	H	H1	H3	A	A1	B
K0175.106001	reamed hole	1	6	10	13,8	14	17	11	27	40	47	8
K0175.208001	reamed hole	2	8	14	18,3	18,5	18	11	36,5	65	75	9
K0175.310001	reamed hole	3	10	14	21,8	22	22	14	45	80	91	11
K0175.412001	reamed hole	4	12	18	25,8	26	26	17	54	95	108	13
K0175.516001	reamed hole	5	16	18	30,8	31	31	21	63	110	126	16