

Cam levers with internal thread, steel, metric

Item description/product images

METRIC
Parts



Description

Material:

Handle steel 1.0401.
Thrust washer plastic PA 66 GF 35-X fiberglass reinforced.
Hinge pin stainless steel 1.4305 (AISI 303 equivalent).
Stud and washer steel, grade 5.8.

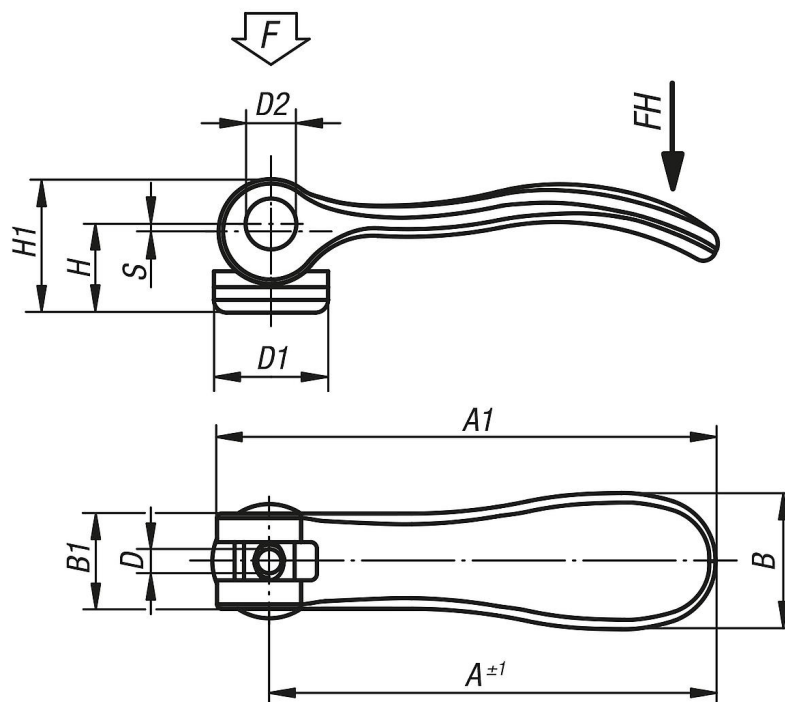
Version:

Handle, stud and washer trivalent blue passivated.
Thrust washer black.
Hinge pin bright.

Note:

Plastics are subject to creeping under load (retardation).

Drawings



| Order No. | D | D1 | D2 | B | B1 | H | H1 | A | A1 | Travel S | Clamping force F (kN) | Hand force FH N |
|---------------|----|------|----|------|----|------|------|------|------|-------------|-----------------------------|-----------------------|
| K0788.1502205 | M5 | 18,1 | 9 | 21,5 | 15 | 14,5 | 22 | 70,4 | 79,2 | 1,2 | 4 | 120 |
| K0788.1502206 | M6 | 18,1 | 9 | 21,5 | 15 | 14,5 | 22 | 70,4 | 79,2 | 1,2 | 4 | 120 |
| K0788.2502208 | M8 | 27,1 | 11 | 33,2 | 24 | 18 | 28,5 | 96 | 108 | 1,5 | 8 | 350 |

