

Pull handles, aluminium

Item description/product images



Description

Material:

Profile aluminium EN AW-6060

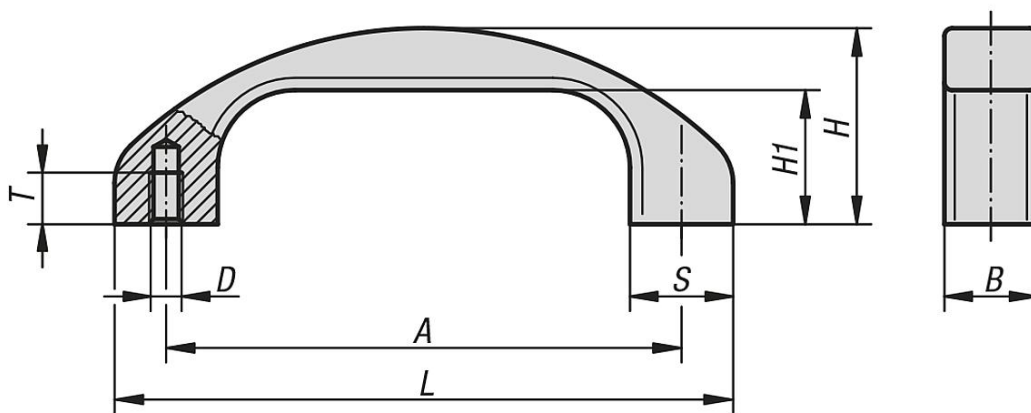
Version:

High quality anodised version, glass-bead blasted, semi-gloss finish.

Assembly:

From the rear.

Drawings



Overview of items

Pull handles

Order No.	Main colour	A	B	D	H	H1	L	S	T	Load capacity N
K0195.120061	black anodised	120	22	M6	46	31	144	24	12	1000
K0195.140081	black anodised	140	25	M8	53	36	168	28	15	1000
K0195.120063	natural anodised	120	22	M6	46	31	144	24	12	1000
K0195.140083	natural anodised	140	25	M8	53	36	168	28	15	1000