

# Levelling feet

## Item description/product images



### Description

**Material:**

Body fibreglass reinforced thermoplastic.  
Hexagon head screw steel.

**Version:**

Body black.  
Hexagon head screw electro zinc-plated.

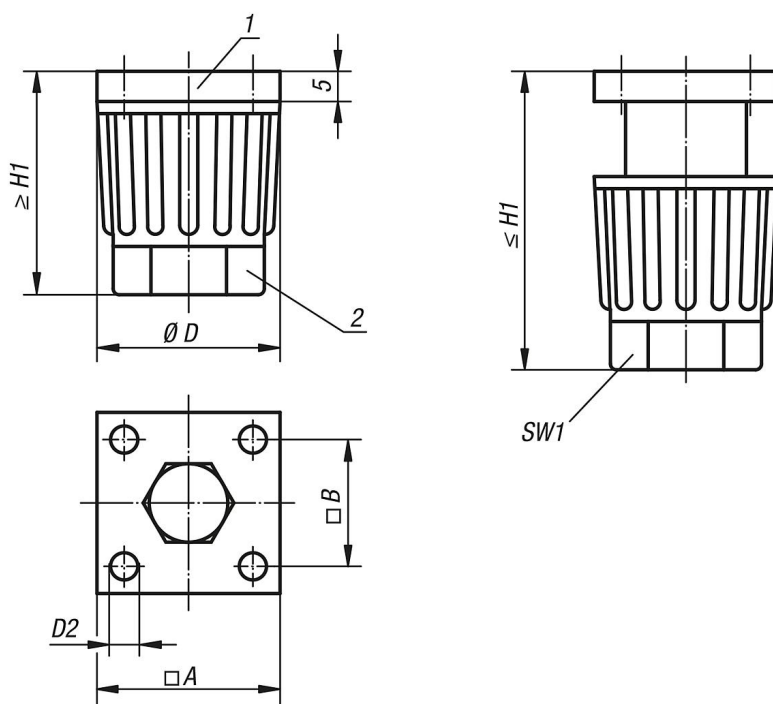
**Note:**

The flat top flange and sunken screw head make these levelling feet ideal for mounting on smooth surfaces.  
The foot height is adjusted by turning the base nut by hand or spanner.

**Drawing reference:**

- 1) support flange
- 2) nut

## Drawings



## Overview of items

### Levelling feet

Order No.	A	B	D	D2 for countersunk screw	H1	SW1	Load rating max. kN (static load only)
K0433.3004	30	20,5	30	M4	35-50	22	1,5
K0433.4006	40	28	40	M6	45-65	30	1,5

