

Tube clamps base plastic

Item description/product images



Description

Material:

Thermoplastic.

DIN 7984 screws and DIN 985 nuts steel.

Version:

Black.

Screws and nuts electro zinc-plated.

Note:

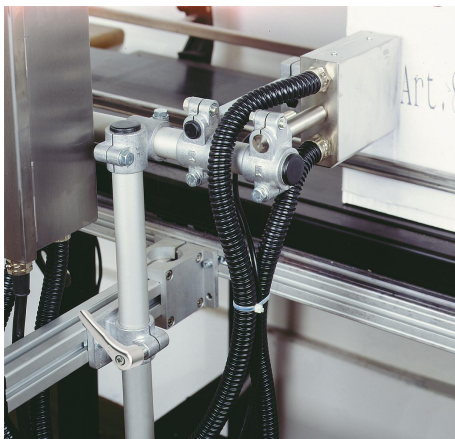
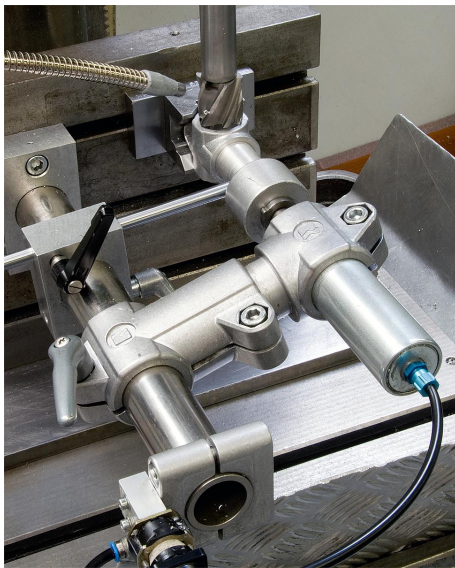
These base clamps are for 30 mm square tubes. Use reducer bodys K0491 if smaller tubes are to be clamped or a conversion from square to round tubes is required.

On request:

Plastic adjustable handles for tightening.

Accessory:

- Reducer bodys K0491
- Round and square tubes K0493

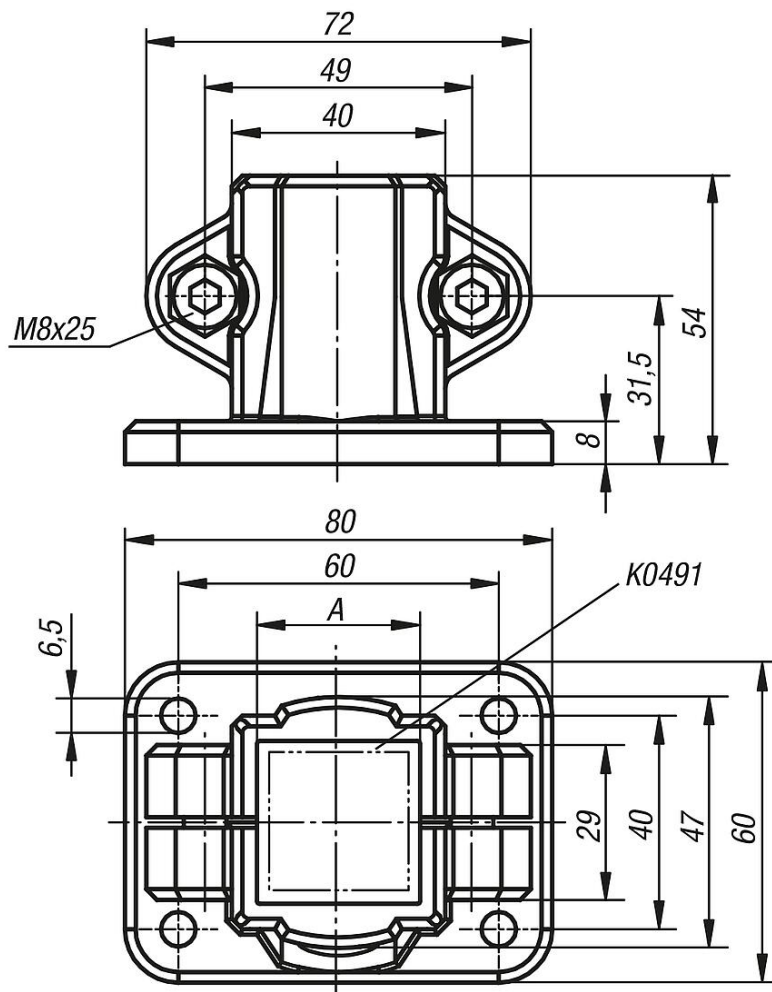


Tube clamps base plastic

Item description/product images



Drawings



Tube clamps base plastic**Tube clamps base, plastic**

Order No.	A
K0478.30	30