

Toggle clamp mini, horizontal with straight foot and adjustable clamping spindle

Item description/product images



Description

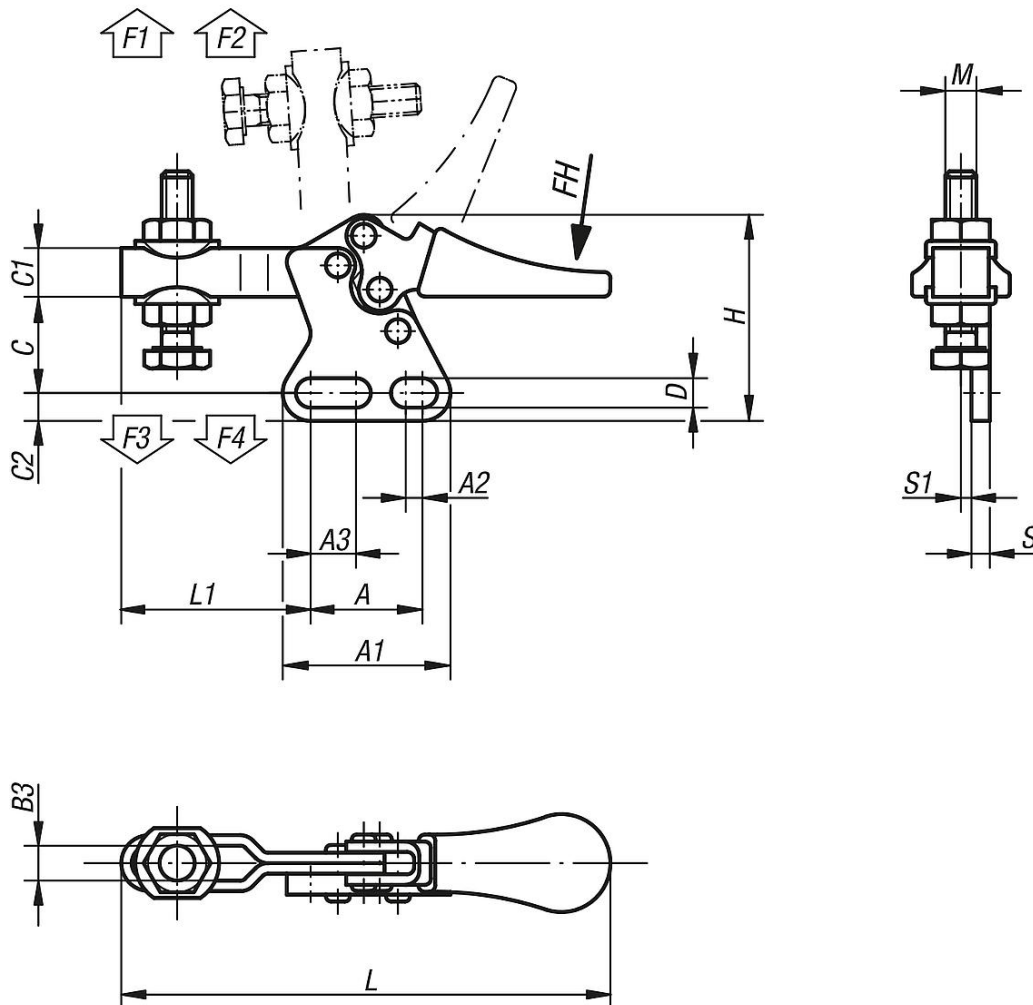
Material:
Steel.

Version:
Trivalent passivated.
Clamping spindle and nuts phosphated.
Plastic grip oil-resistant.

Accessory:

K0101
K0102
K0103
K0106
K0107

Drawings



Toggle clamp mini, horizontal with straight foot and adjustable clamping spindle

Toggle clamp mini, horizontal with straight foot and adjustable clamping spindle

Item No.	Opening angle of holding arm	Opening angle of handle	Hand force FH N	Retaining force F1 N	Retaining force F2 N	Clamping force F3 N	Clamping force F4 N
K0068.0050	85°	65°	80	250	550	170	370

Item No.	A	A1	A2	A3	B3	C	C1	C2	D	H	L	L1	M	S	S1
K0068.0050	16	24,5	2,4	6,5	5,2	14	7	4	4,2	29	70	27	M5x20	3,2	1,5