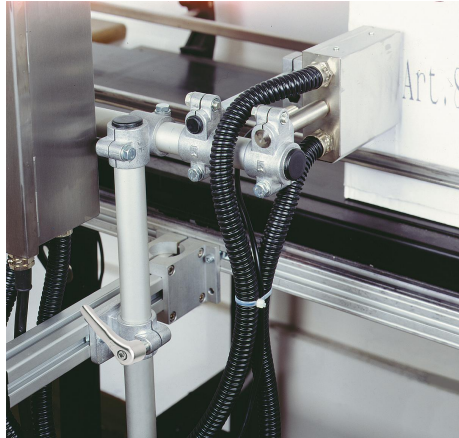


## Tube clamps swivel aluminium

### Item description/product images



### Description

**Material:**

Cast aluminium.

DIN 7984 cap screws and DIN 985 hex nuts, steel.

From A = 20.1 DIN 931 hex head screws.

**Version:**

Vibratory ground.

Cap screw, hex head screw and hex nut.

**Note:**

Swivel tube clamps can be infinitely rotated through 180°.

**On request:**

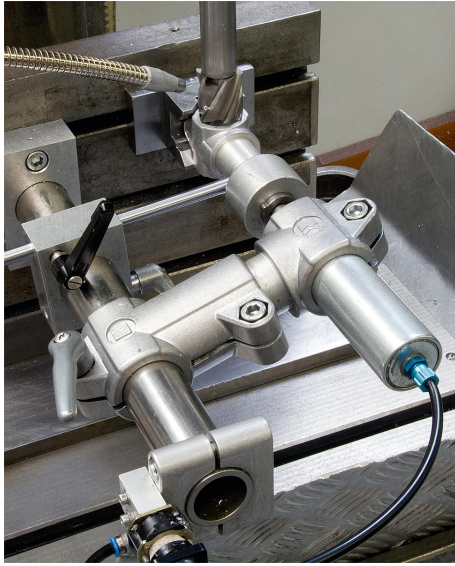
Clamping levers for tightening and other diameters.

**Accessory:**

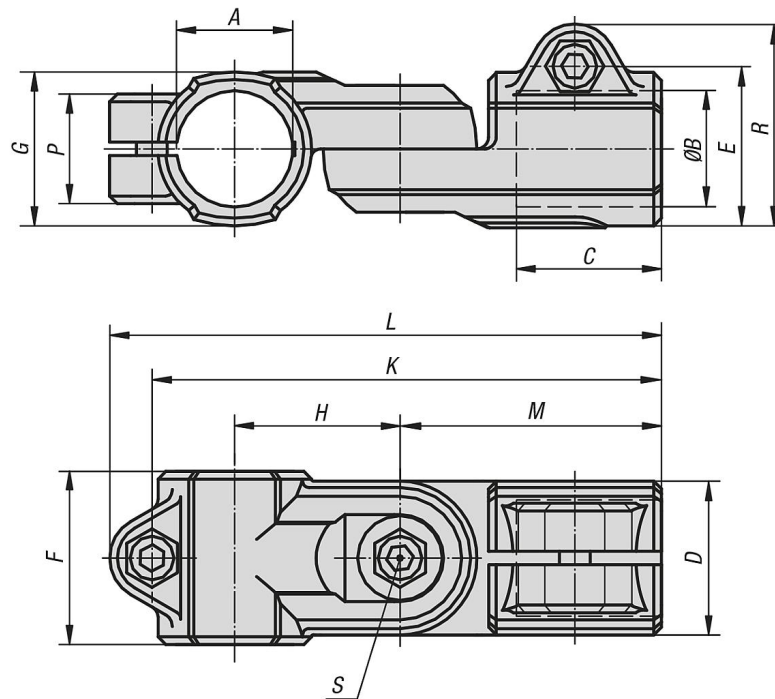
- Round and square tubes K0493

# Tube clamps swivel aluminium

Item description/product images



## Drawings



## Overview of items

### Tube clamps swivel, aluminium

Order No.	A	B	C	D	E	F	G	H	K	L	M	P	R	S
K0488.512	12,1	12,1	25	26	29,4	30	26	27	87	95,5	44	21	37,5	M6x18
K0488.514	14,1	14,1	25	26	29,4	30	26	27	87	95,5	44	21	37,5	M6x18
K0488.516	16,1	16,1	25	26	29,4	30	26	27	87	95,5	44	21	37,5	M6x18
K0488.518	18,1	18,1	25	26	29,4	30	26	27	87	95,5	44	21	37,5	M6x18
K0488.520	20,1	20,1	45	40	42	40	40	43	138	147	73	33	52	M8x35

## Tube clamps swivel aluminium

### Overview of items

Order No.	A	B	C	D	E	F	G	H	K	L	M	P	R	S
<b>K0488.525</b>	25,1	25,1	45	40	42	40	40	43	138	147	73	33	52	M8x35
<b>K0488.530</b>	30,1	30,1	45	40	42	40	40	43	138	147	73	33	52	M8x35
<b>K0488.540</b>	40,2	40,2	60	56	57	56	56	60	188	200	100	48	69	M10x50