

Toggle clamps vertical heavy-duty with fixed clamping spindle

Item description/product images



Description

Material:

Steel.

Version:

Black oxidised.

Thrust spindle and nuts phosphated.

Hinge pins and hinge bushes case-hardened.

Plastic grip oil-resistant.

Note:

Oil all joints regularly.

Accessory:

K0099

K0102

K0103

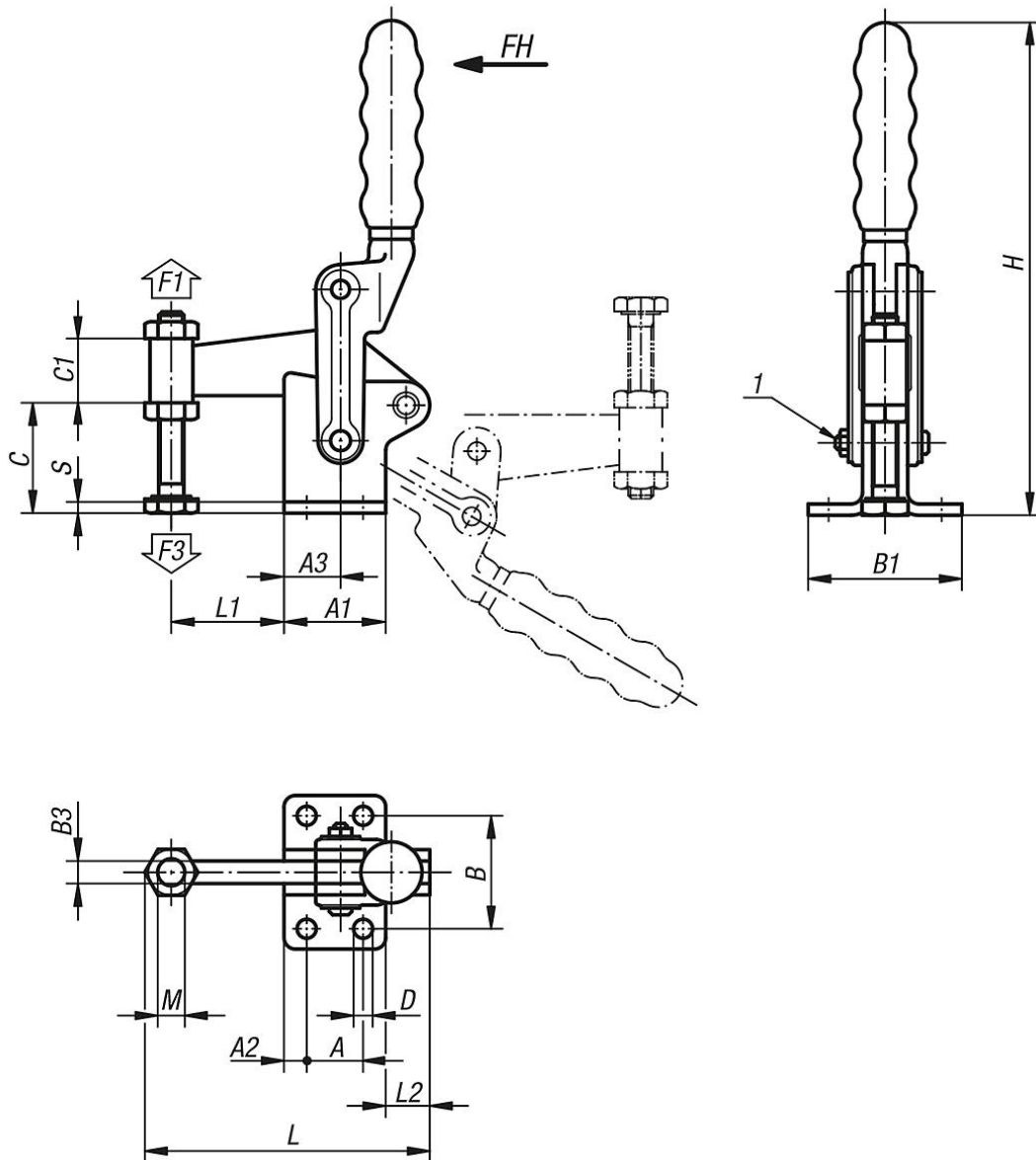
K0106

Drawing reference:

1) adjustable clamp arm guide

Toggle clamps vertical heavy-duty with fixed clamping spindle

Drawings



Overview of items

Toggle clamps vertical heavy-duty with fixed clamping spindle

Order No.	Opening angle of holding arm	Opening angle of handle	Hand force FH N	Retaining force F1 N	Clamping force F3 N	Matching plastic grip
K0066.0700	180°	120°	340	6000	1400	K0099.28
K0066.1200	180°	125°	500	8000	1400	K0099.30
K0066.2400	195°	130°	500	15000	1850	K0099.33

Order No.	A	A1	A2	A3	B	B1	B3	C	C1	D	H	L	L1	L2	M	S
K0066.0700	25	45	10	25	50	68	10	45	30	8,3	215	124	50	20	M12x100	5
K0066.1200	30	51	10	25	60	86,5	12	58	30	8,3	250	144	60	23	M12x100	6
K0066.2400	40	64	12	40	75	104	16	70	38	10,3	295	188	75	37	M16x150	8

