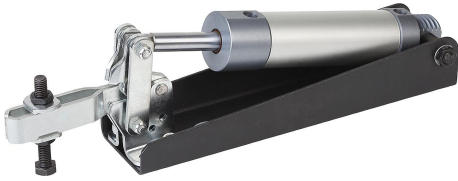


Pneumatic clamps horizontal, style A

Item description/product images



Description

Material:

Lever parts and clamping spindle steel.

Version:

Lever parts trivalent passivated.

Clamping spindle and nuts phosphated.

Cylinder bright.

Note:

A neoprene thrust pad is supplied with versions K0089.0075 and K0089.0150.

Accessory:

K0101

K0102

K0103

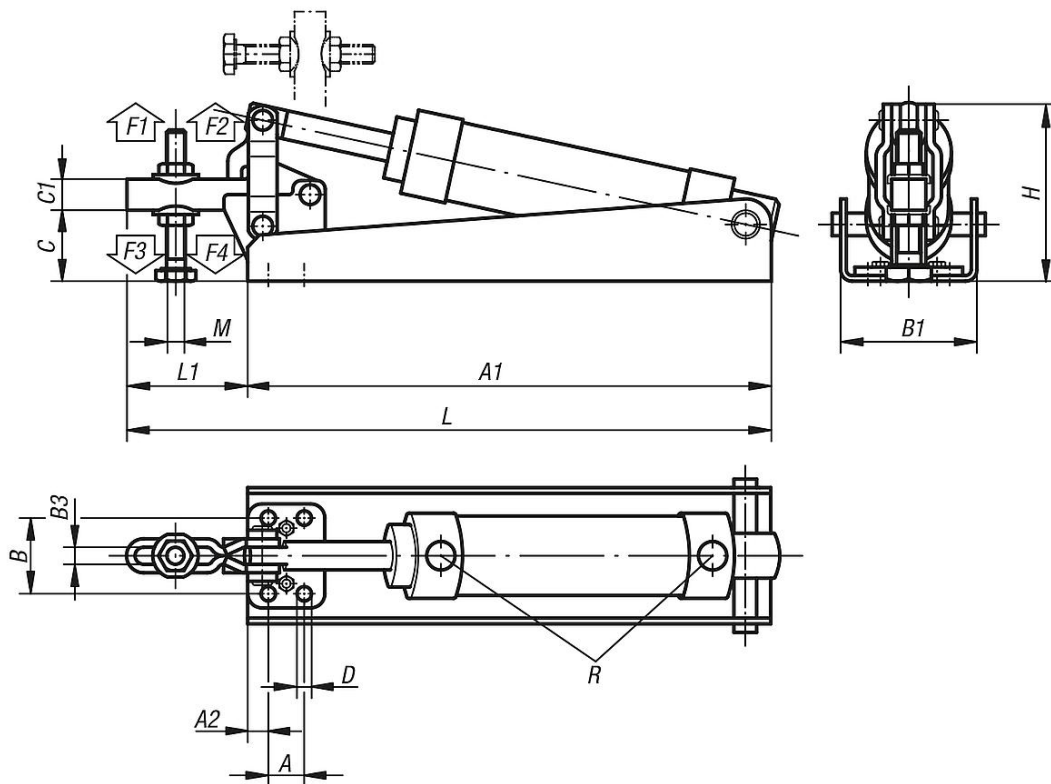
K0106

K0107

Pneumatic cylinder:

Double-acting without end of stroke dampening.

Drawings



Pneumatic clamps horizontal, style A

Pneumatic clamps horizontal, style A

Order No.	style	Air consumption per cycle	Opening angle of holding arm	Holding force at 6 bar F1 N	Holding force at 6 bar F2 N	Clamping force at 6 bar F3 N	Clamping force at 6 bar F4 N
K0089.0075	A	0,02 dm ³	70°	1000	1600	800	1400
K0089.0150	A	0,04 dm ³	85°	1300	1900	1000	1600
K0089.0250	A	0,09 dm ³	85°	1600	2400	1200	1800
K0089.0450	A	0,27 dm ³	85°	3000	5800	2600	5400

Item No.	style	A	A1	A2	B	B1	B3	C	C1	D	H	L	L1	M	R	Operating pressure bar	strokes per min. at 6 bar
K0089.0075	A	16	145	5	24	40	5,3	18	9	4,4	50	177	32	M5x35	G1/8	2 - 6	40
K0089.0150	A	12,7	185	7	27	48	6,4	24	11	5,1	62	227	42	M6x50	G1/8	2 - 6	60
K0089.0250	A	19	234	8	32	59	8,9	35	17,5	7,1	84	309	75	M8x60	G1/8	2 - 6	55
K0089.0450	A	32	289	10	45	76	12,7	54	25	8,7	122	413	124	M12x100	G1/8	2 - 6	55