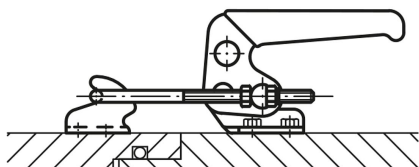


## Toggle clamps latch horizontal with catch plate

### Item description/product images



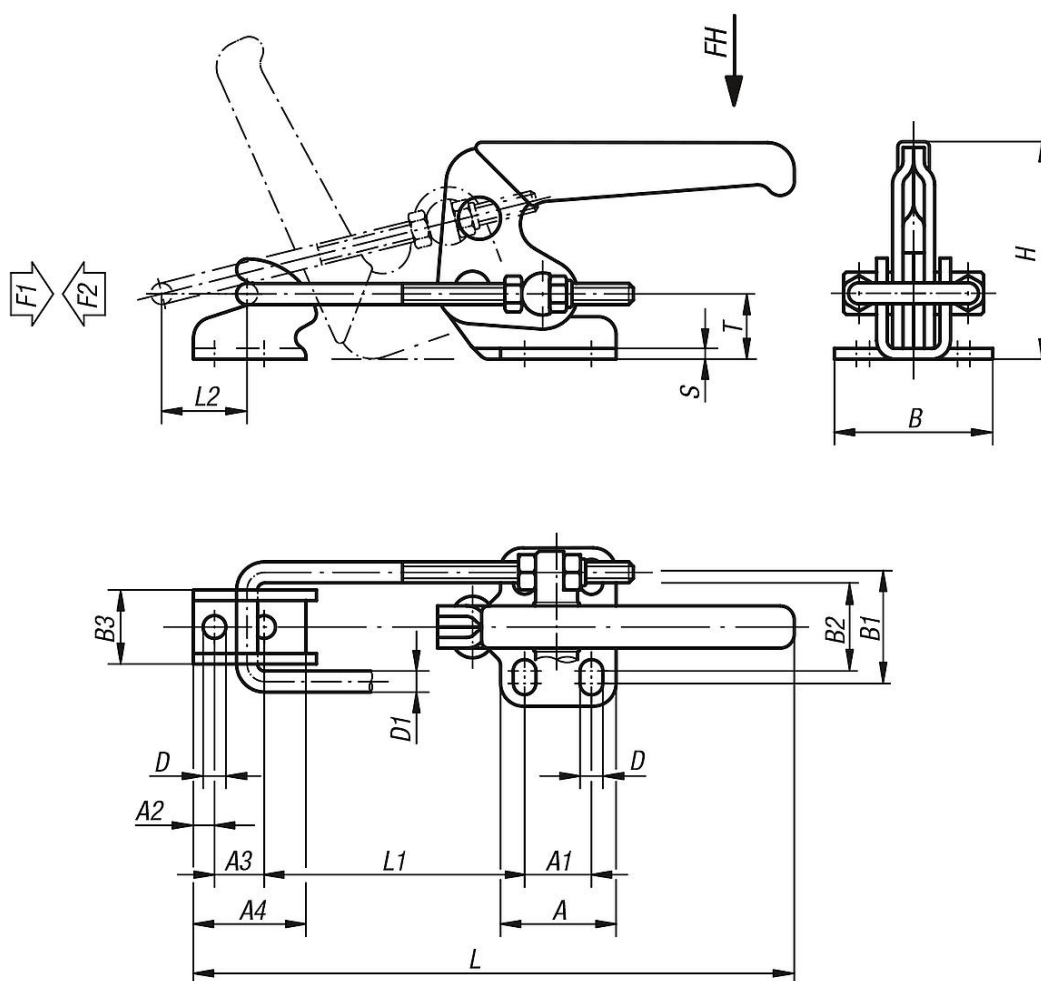
### Description

**Material:**  
Steel or stainless steel.

**Version:**  
Trivalent passivated.  
Stainless steel bright.  
Plastic grip oil-resistant.

**Note:**  
Latch toggle clamps are especially suitable for quickly closing and locking covers and hatches.  
The travel can be set by altering the hasp length.

### Drawings



### Overview of items

### Toggle clamps latch horizontal with catch plate

## Toggle clamps latch horizontal with catch plate

### Overview of items

Order No.	Main material	Opening angle of handle	Hand force FH N	Retaining force F2 N	Traction force F1 N	Travel path L max.	Travel path L min.	Travel path L1 max.	Travel path L1 min.	Clamping travel L2
<b>K0080.0140</b>	steel	120°	100	2000	1800	135	105	68	38	16
<b>K0080.0250</b>	steel	120°	150	4000	2700	185	145	85	45	24
<b>K0080.0450</b>	steel	120°	200	7000	4500	250	190	120	65	32
<b>K0080.0140N</b>	stainless steel	120°	100	2000	1800	135	105	68	38	16
<b>K0080.0250N</b>	stainless steel	120°	150	4000	2700	185	145	85	45	24
<b>K0080.0450N</b>	stainless steel	120°	200	7000	4500	250	190	120	65	32

Order No.	Main material	A	A1	A2	A3	A4	B	B1	B2	B3	D	D1	H	S	T
<b>K0080.0140</b>	steel	26	13	4,5	11	24	36	24	19	16	5,2	4	42	2,5	11,5
<b>K0080.0250</b>	steel	35	19	6	14	32	48	33	26	21	6,5	6	64	3	18,5
<b>K0080.0450</b>	steel	51	32	8	19	40	64	45	36	28	8,5	8	85	4	25,5
<b>K0080.0140N</b>	stainless steel	26	13	4,5	11	24	36	24	19	16	5,2	4	42	2,5	11,5
<b>K0080.0250N</b>	stainless steel	35	19	6	14	32	48	33	26	21	6,5	6	64	3	18,5
<b>K0080.0450N</b>	stainless steel	51	32	8	19	40	64	45	36	28	8,5	8	85	4	25,5