

# Toggle clamps latch horizontal heavy-duty with catch plate

## Item description/product images



### Description

**Material:**

Steel. Body and catch plate cast steel.  
Grip ductile iron (SGI).

**Version:**

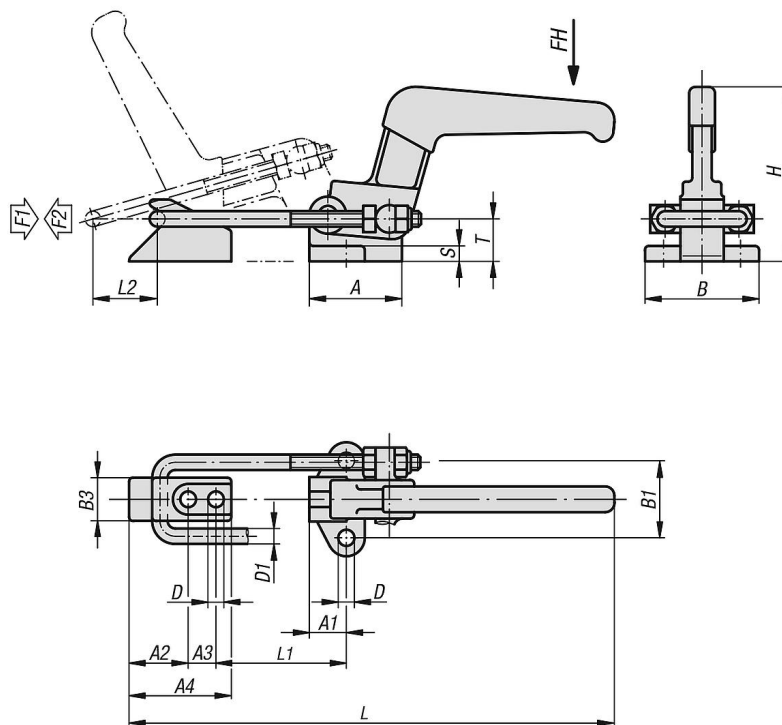
Trivalent passivated.  
Body, catch plate and handle phosphated.  
Plastic grip oil-resistant.

**Note:**

Horizontal latch toggle clamps are especially suitable for quickly closing and locking covers and hatches.

The travel can be set by altering the hasp length.

## Drawings



## Overview of items

### Toggle clamps, latch, horizontal, heavy-duty with catch plate

Order No.	Opening angle of handle	Hand force FH N	Retaining force F2 N	Traction force F1 N	Travel path L min.	Travel path L max.	Travel path L1 min.	Travel path L1 max.	Clamping travel L2
K0081.1650	120°	600	20000	16500	270	320	38	88	60
K0081.1900	120°	600	40000	19000	335	395	52	112	70

Order No.	A	A1	A2	A3	A4	B	B1	B3	D	D1	H	S	T
K0081.1650	60	24	37	18	65	74	50	28	10,3	10	115	10	27

## Toggle clamps latch horizontal heavy-duty with catch plate

### Overview of items

Order No.	A	A1	A2	A3	A4	B	B1	B3	D	D1	H	S	T
K0081.1900	82	36	44	22	78	84	56	34	12,4	12	132	12	33,5