

Push-Pull Clamps with mounting bracket

Item description/product images



Description

Material:

Steel or stainless steel.

Version:

Trivalent passivated.

Connecting rod and thrust screw phosphated.

Stainless steel bright.

Plastic grip oil-resistant.

Note:

As the push-pull toggle clamps lock in open and closed handle positions, they can be used to clamp when pushing or pulling.

The fastening nut supplied allows the clamps to be mounted in any desired position.

A neoprene pressure pad is supplied with version K0085.0100.

Versions K0085.0100N, K0085.0200N and K0085.0400N are supplied without mounting bracket.

Accessory:

K0100

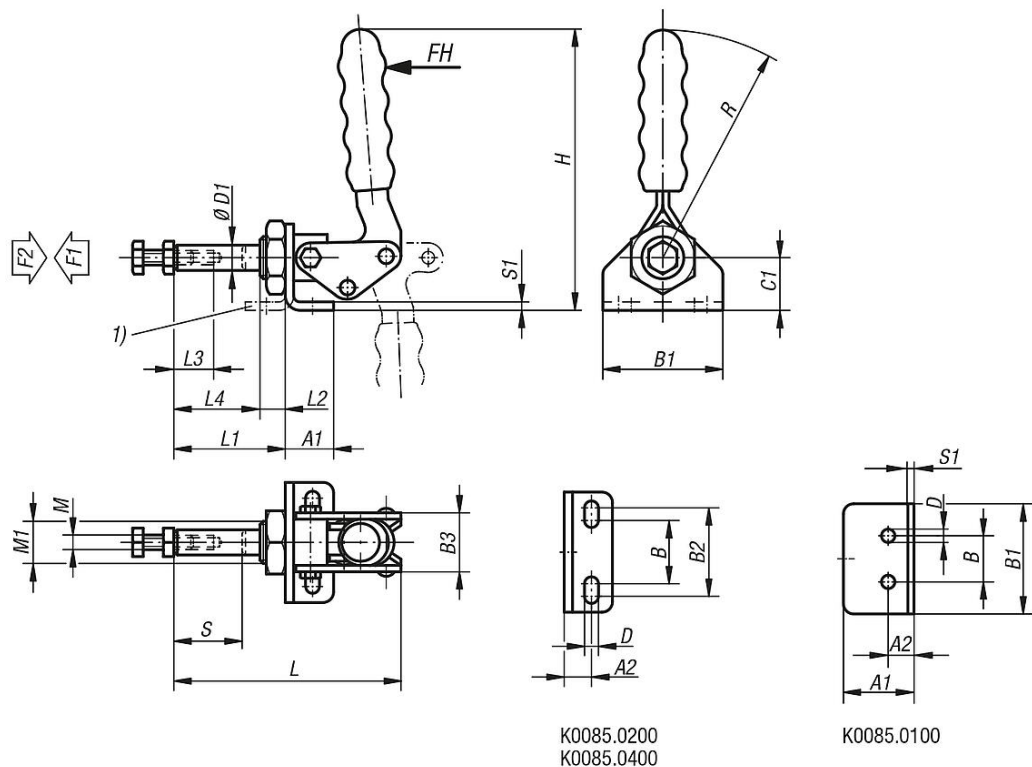
K0101

K0102

K0103

K0106

Drawings



Push-Pull Clamps with mounting bracket

Toggle clamps push-pull with mounting bracket

| Order No. | Main material | Opening angle of handle | Hand force FH N | Retaining force F2 N | Clamping force F1 N | |
|-------------|-----------------|-------------------------|-----------------|----------------------|---------------------|----------|
| K0085.0100 | steel | 190° | 40 | 1000 | 500 | K0100.22 |
| K0085.0200 | steel | 190° | 50 | 2000 | 2000 | K0100.28 |
| K0085.0400 | steel | 190° | 150 | 4000 | 2500 | K0100.30 |
| K0085.0100N | stainless steel | 190° | 40 | 1000 | 500 | K0100.22 |
| K0085.0200N | stainless steel | 190° | 50 | 2000 | 2000 | K0100.28 |
| K0085.0400N | stainless steel | 190° | 150 | 4000 | 2500 | K0100.30 |

| Item No. | Main material | A1 | A2 | B | B1 | B2 | B3 | C1 | D | D1 | H | L | L1 | L2 | L3 | L4 | M | M1 | S1 | R | Travel S |
|-------------|-----------------|----|------|----|----|----|----|----|-----|----|-----|-----|----|----|----|----|--------|---------|----|-----|----------|
| K0085.0100 | steel | 20 | 13,5 | 18 | 44 | - | 25 | 28 | 5,2 | 10 | 98 | 69 | 34 | 10 | 15 | 23 | M6x25 | M16x1,5 | 4 | 70 | 20 |
| K0085.0200 | steel | 23 | 13 | 30 | 57 | 42 | 28 | 34 | 6,5 | 12 | 147 | 108 | 53 | 12 | 25 | 41 | M8x40 | M20x1,5 | 4 | 112 | 40 |
| K0085.0400 | steel | 30 | 18 | 30 | 64 | 45 | 38 | 30 | 8,5 | 16 | 160 | 175 | 88 | 17 | 35 | 71 | M10x50 | M24x1,5 | 5 | 130 | 68 |
| K0085.0100N | stainless steel | - | - | - | - | - | 25 | 26 | - | 10 | - | 69 | 34 | 10 | 15 | 23 | M6x25 | M16x1,5 | - | 70 | - |
| K0085.0200N | stainless steel | - | - | - | - | - | 28 | 25 | - | 12 | - | 108 | 53 | 12 | 25 | 41 | M8x40 | M20x1,5 | - | 112 | 40 |
| K0085.0400N | stainless steel | - | - | - | - | - | 38 | 30 | - | 16 | - | 175 | 88 | 17 | 35 | 71 | M10x50 | M24x1,5 | - | 130 | 68 |