

Pneumatic clamps horizontal, style B

Item description/product images



Description

Material:

Lever parts and clamping spindle steel.

Version:

Lever parts trivalent passivated.

Clamping spindle and nuts phosphated.

Cylinder bright.

Note:

Cable length 2.5 m

Accessory:

K0101

K0102

K0103

K0106

K0107

Pneumatic cylinder:

Double-acting without end of stroke dampening and equipped with two proximity reed switches with LED indicators.

Technical data for proximity reed switch:

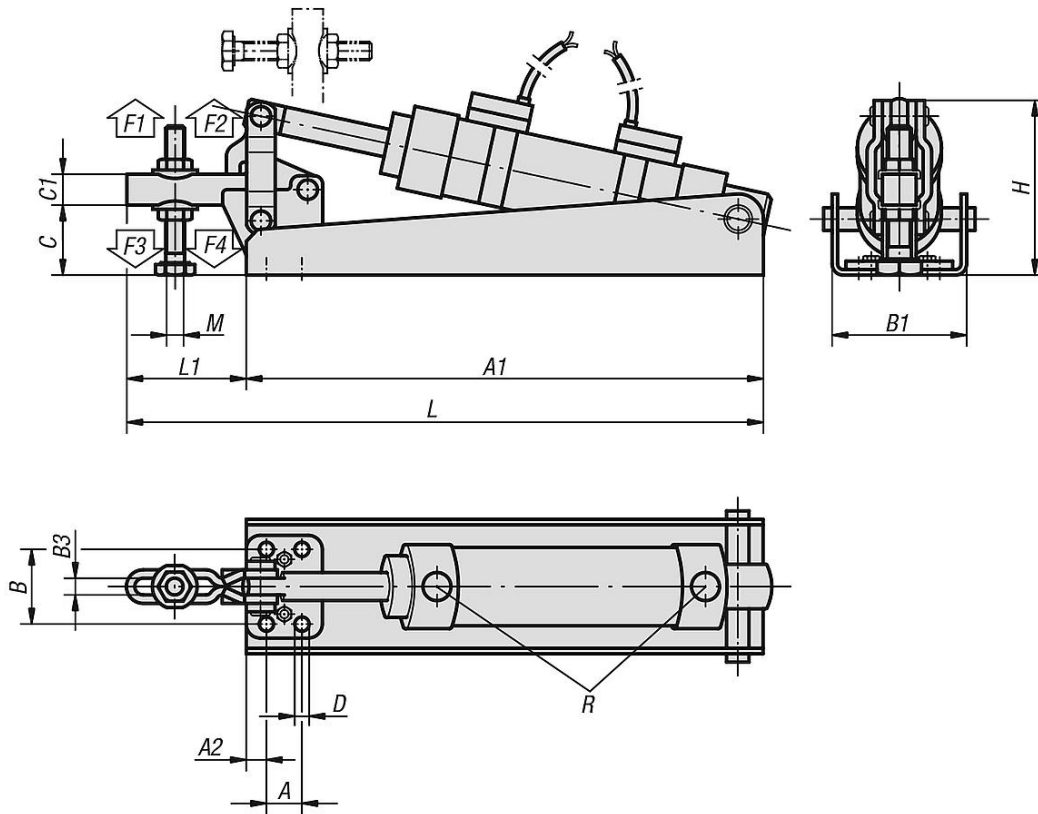
Max. perstyleance DC = 10 W / AC = 12 VA.

Max. rated voltage 10 - 60 V, DC and AC.

Max. rated power 500 mA.

Pneumatic clamps horizontal, style B

Drawings



Pneumatic clamps horizontal, style B

| Order No. | style | Air consumption per cycle | Opening angle of holding arm | Holding force at 6 bar F1 N | Holding force at 6 bar F2 N | Clamping force at 6 bar F3 N | Clamping force at 6 bar F4 N |
|------------|-------|---------------------------|------------------------------|-----------------------------|-----------------------------|------------------------------|------------------------------|
| K0090.0075 | B | 0,02 dm ³ | 70° | 1000 | 1600 | 800 | 1400 |
| K0090.0150 | B | 0,04 dm ³ | 85° | 1300 | 1900 | 1000 | 1600 |
| K0090.0250 | B | 0,09 dm ³ | 85° | 1600 | 2400 | 1200 | 1800 |
| K0090.0450 | B | 0,27 dm ³ | 85° | 3000 | 5800 | 2600 | 5400 |

| Item No. | style | A | A1 | A2 | B | B1 | B3 | C | C1 | D | H | L | L1 | M | R | Operating pressure bar | strokes per min. at 6 bar |
|------------|-------|------|-----|----|----|----|------|----|------|-----|-----|-----|-----|---------|------|------------------------|---------------------------|
| K0090.0075 | B | 16 | 145 | 5 | 24 | 40 | 5,3 | 18 | 9 | 4,4 | 50 | 177 | 32 | M5x35 | G1/8 | 2 - 6 | 40 |
| K0090.0150 | B | 12,7 | 185 | 7 | 27 | 48 | 6,4 | 24 | 11 | 5,1 | 62 | 227 | 42 | M6x50 | G1/8 | 2 - 6 | 60 |
| K0090.0250 | B | 19 | 234 | 8 | 32 | 59 | 8,9 | 35 | 17,5 | 7,1 | 84 | 309 | 75 | M8x60 | G1/8 | 2 - 6 | 55 |
| K0090.0450 | B | 32 | 289 | 10 | 45 | 76 | 12,7 | 54 | 25 | 8,7 | 122 | 413 | 124 | M12x100 | G1/8 | 2 - 6 | 55 |