

Self-aligning pads, style M, with external thread, flattened ball, diamond grip

Item description/product images



Description

Material:

Body carbon steel.
Ball carbide.

Version:

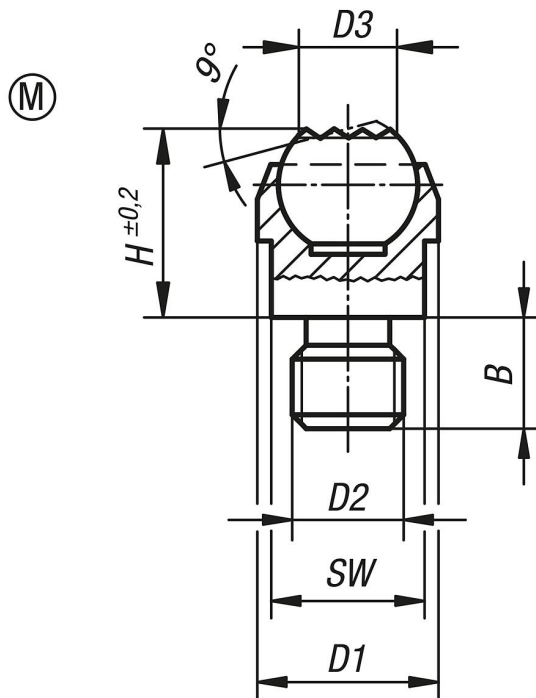
Body tempered and phosphated.
Ball nickel plated.

Note:

Self-aligning pads serve as stops, supports and thrust pads in fixture constructions.

Ball secured against rotation.

Drawings



Order No.	style	B	D1	D2	D3	H	Ball-Ø	SW	Load rating max. kN (static load only)
K0282.908	M	8	13	M8	7,7	13,3	10	11	10
K0282.910	M	10	20	M10	12	18	16	17	25
K0282.912	M	12	20	M12	12	18	16	17	25

Self-aligning pads, style M, with external thread, flattened ball, diamond grip

